

# EchoPanel EchoScreen Installation Guide

Please read this application guide before beginning installation. This installation guide is presented to help in the installation of Kirei EchoScreens. Kirei accepts no responsibility for installation actions taken or not taken. This document is not intended as an all-encompassing guide, knowledge as an experienced installer needs to be applied. This application guide contains only recommendations; if you have any questions about installation techniques, please contact Kirei.

## **ECHOSCREEN SPECIFICATIONS**

### **What is EchoScreen?**

EchoScreen is a decorative acoustically absorbent system with a felt-like finish, designed to be hung from ceilings and walls either singly or arrayed in groups. EchoPanel® is made from 100% PET thermally stable plastic which depending on the color, contains up to 60% post-consumer content. EchoPanel® is also recyclable in the PET waste stream.

### **How is EchoScreen used?**

EchoScreen is used as a decorative sound reducing partition in a variety of settings. It can be installed on walls, ceilings via a variety of installation types outlined in this installation guide.

### **Fire Rating**

EchoPanel® EchoScreens do not come fire treated to Class A. EchoPanel® 12mm panels can be treated to satisfy Class A requirements. Check the Fire Rating requirements for your Project, Building or Municipality in advance. ASTM E84 test results can be obtained by contacting Kirei.

## **STANDARD ASSEMBLY & INSTALLATION**

EchoScreen can be hung singly or arrayed in groups, either abutted edge to edge or hung with a reveal between panels. See installation instructions below for standard hanging installation. Depending on reveal desired, additional channel track and/or hardware may be required.

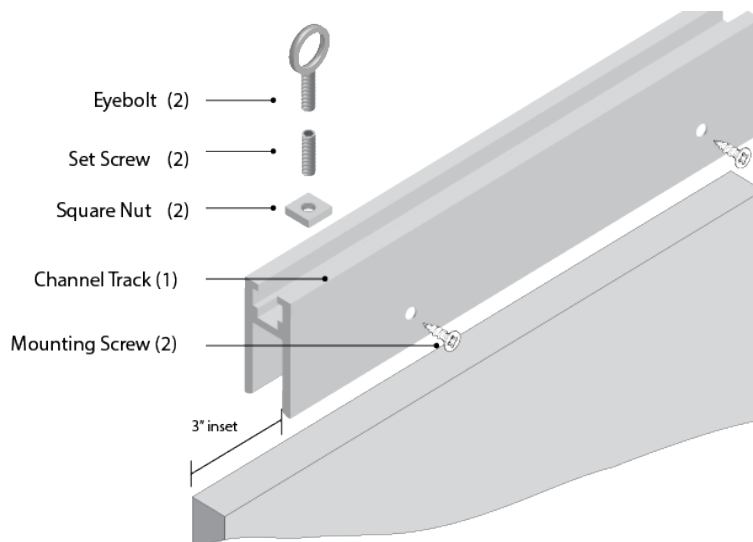
## **STANDARD HANGING ECHOSCREEN HARDWARE & INSTALLATION**

### **Standard Single Hanging Screen Hardware**

Each standard single EchoScreen comes with:

- (1) 40" Aluminum Channel Track
- (2) Fastener Sets
- (2) 1/4"-20 Square Nuts
- (2) 1/4"-20 Eyebolts (for hanging with looped cable or chain)
- (2) 1/4"-20 x 3/4" Set Screws (compatible with most aircraft cable suspension hardware.)
- (2) #8 x 1/2" Mounting Screws

# EchoPanel EchoScreen Installation Guide



## Standard Single EchoScreen Hanging Installation

Step 1: Ensure assembly surface is clean and flat.

Step 2: Insert square nuts into track, select either the set screw or the eyebolt depending on specified cable attachment. Set Screw requires 4mm hex tool and turned until fully tightened. Eyebolts may be over-tightened to align square with Channel Track.

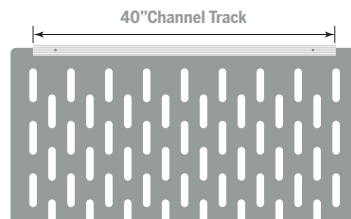
Step 3: Mount the Channel Track on center to the top of the screen using #8 x 1/2" Mounting Screws.

Step 4: Install track to specified ceiling hardware. NOTE: KIREI DOES NOT PROVIDE CEILING HARDWARE.

Step 5: Check level after installation.

## Recommended Tools

- Drill/Screw Gun
- Hex Driver (4mm) for hanging screen install
- Hex Driver (4.5mm) for EchoScreen Rolling Track install



# EchoPanel EchoScreen Installation Guide

## Multiple EchoScreen Hardware & Installation

### *2-EchoScreen Hanging Hardware*

When ordering a pair of EchoScreens to be installed side by side, a single 88" Channel Track is included with (3) Fastener Sets.

### *2-EchoScreen Installation*

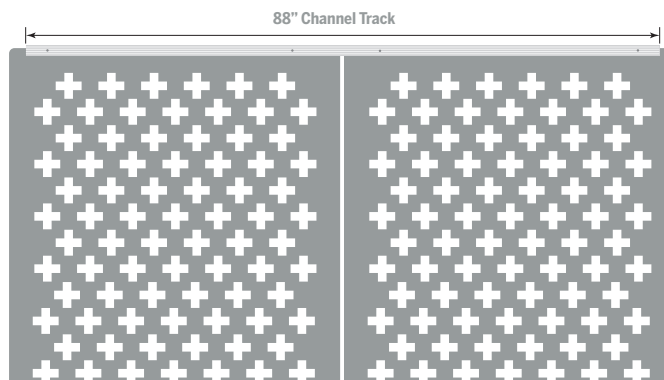
Step 1: Pre-assemble screen with 2-3 people on a clean, flat surface.

Step 2: Mount the channel track to the screens.

Step 3: Position the fasteners for the specified suspension hardware (which is not included by Kirei).

Step 4: Two individuals should lift and evenly support the screen set while a third individual connects the hanging hardware to the ceiling suspension hardware

Step 5: Check level after installation.



### *Triptych EchoScreen Hanging Hardware*

The Triptych Series of three EchoScreen panels includes (2) 66" Channel Tracks and (4) Fastener Sets to enable even hanging.

### *Triptych EchoScreen Installation*

Step 1: Assemble the channel tracks and fastener set. Do not attach the screen yet.

Step 2: Suspend/install the Channel Tracks at the specified position/height. This may require 2-3 people.

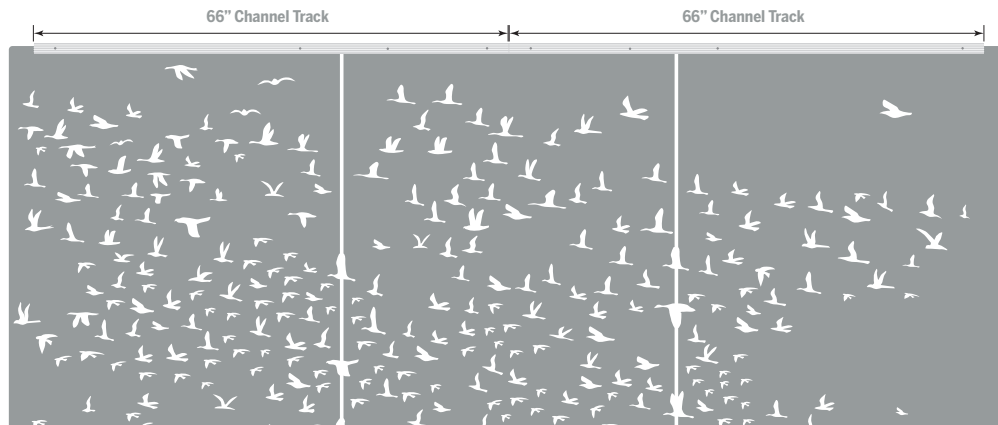
Step 3: Hang the assembled channel tracks to the specified ceiling suspension system (which Kirei does not provide).

Step 4: Install the center screen first, which will connect the 2 channel tracks.

Step 5: Mount the two remaining screens to the channel tracks.

Step 6: Check level after installation

# EchoPanel EchoScreen Installation Guide



## *4+ EchoScreen Hanging Hardware*

When installing 4 or more abutted (sequential) EchoScreens, even numbers of panels will include 66" Channel Tracks for each end and 40" Channel Tracks for the center panels. Odd numbers of screens will include a 66" Channel track for each end and 88" Channel Tracks for the center panels.

## *4+ EchoScreen Installation*

Depending on quantity of screens, follow either the 2-EchoScreen installation steps or Triptych EchoScreen installation steps. Contact Kirei for more information.

# EchoPanel EchoScreen Installation Guide

## OTHER ECHOSCREEN HARDWARE & INSTALLATION

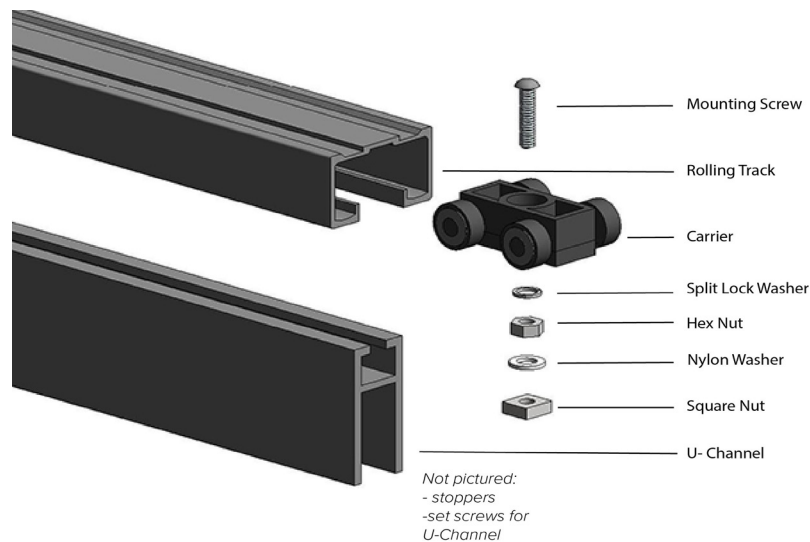
Kirei has multiple alternative ways to install EchoScreens based on spacial needs; however, these alternative installation variations may require extra hardware at an additional cost. Contact Kirei for more information.

## ROLLING TRACK HARDWARE & INSTALLATION

### Rolling Track EchoScreen Hardware

Each rolling track kit come with:

- (1) 8' rolling track
- (2) carriers
- (2) rubber stoppers
- (2) fastener kits each consisting of:
  - 1/4"-20 button socket machine screw
  - 1/4" split lock washer
  - 1/4"-20 hex nut
  - 1/4" nylon washer
  - 1/4"-20 square nut



# EchoPanel EchoScreen Installation Guide

## Rolling Track EchoScreen Installation

Rolling Track can be installed in continuous runs or side-by-side for bypass or overlapping screen. The Rolling Track is clear anodize architectural grade aluminum and can be cut to length on site by the installer.

Step 1: Review the specification and ensure the received hardware matches.

Step 2: Install the Rolling Track(s) as specified. (Due to variation in ceiling structure and local code, Kirei does not provide mounting fasteners.)

Step 3: Pre-assemble the Rolling Track Carrier Hardware as per the sequence shown. Using a 4.5mm Hex Tool and 7/16" wrench, firmly tighten the Bolt, Lock Washer and Hex Nut

Step 4: Slide the Square Nut into the Channel Track as shown, keeping the nylon washer on the top and the square nut inside the track. Using the Hex Tool, position each Carrier.

Step 5: Determine the specified range of travel for each EchoScreen and mount the Stoppers within the Rolling Track using the provided fasteners.

## DIRECT MOUNT INSTALLATION

### Construction Adhesive Mounting

To directly mount screens to the wall, we recommend using a standard construction adhesive such as Loctite PowerGrab, Loctite PL 3X Premium Construction Adhesive, or Liquid Nales LN903 Heavy-Duty Construction adhesive. See our EchoPanel Panel Installation Guide for some more construction adhesive options.

### Construction Adhesive Installation

Step 1: Clean and prepare the surface per adhesive guidelines.

Step 2: Spread adhesive evenly on the panel back, minding the screen pop-out design.

Step 3: Adhere to wall surface, providing bracing to hold the material against the surface per adhesive open time/ instructions.

---

### Mechanical Fastening Mounting

EchoScreen can be directly mounted to walls with nails, screws, or staples (where appropriate). Kirei does not provide these fasteners.

# EchoPanel EchoScreen Installation Guide

## Mechanical Fastening Installation

Step 1: Clean surfaces prior to fastening.

Step 2: Drill holes minimum 15mm center offset from each corner. Use best judgement when working around screen cutouts.

Step 3: insure drilled holes have smooth edges.

Step 4: Use washers for better load distribution and to prevent pull-through.

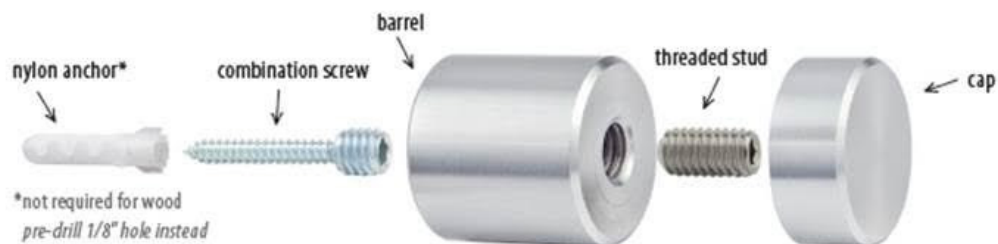
Note: Nails or screws should be fastened into battens or suitable substrates. Don't overtighten fasteners to avoid denting or pillowing the screen surface. Don't use self-tapping screws.

---

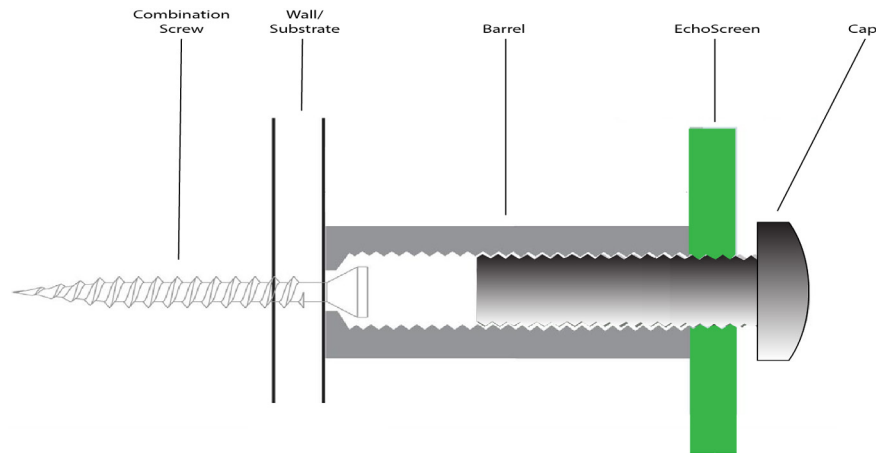
## Standoff Wall Mount Hardware

When standoffs are specified, each EchoScreen comes with:

- (6) standoffs made of:
  - (1) anchor
  - (1) combination screw
  - (1) barrel
  - (1) threaded stud
  - (1) cap



# EchoPanel EchoScreen Installation Guide



## Standoff Wall Mount Installation

Step 1: Assemble with 2 individuals and establish level installation line.

Step 2: Hold the screen in position against the wall and mark the stand-off wall mounting points using the pre-drilled mounting holes in the screen.

Step 3: Set screen aside and drill hole for drywall anchor or pilot hole if mounting to structural substrate.

Step 4: Install stand-offs to wall without adding the threaded stud and cap.

Step 5: One individual should support screen up against standoffs while the other individual aligns EchoScreen to holes and threads in stand-off caps starting at the top.

---

## Suction Cup Hardware

EchoScreens can be installed to glass walls and windows with suction cups. Each EchoScreen ordered specifically for glass mounting comes with:

- (8) suction cups
- (8) mounting screws

## Suction Cup Installation

Step 1: Clean installation area.

Step 2: Screw in suction cups into the screen from the glass-facing side and distribute the suction cup locations evenly throughout the screen.

Step 3: Press the screen firmly to the glass, distributing sufficient pressure on each suction cup.

Step 4: Check the level after installation.



# EchoPanel EchoScreen Installation Guide

## **ADDITIONAL INFORMATION**

### **EchoScreen Cutout Removal**

After the screens are installed, remove the precut cutouts by hand. Support back of screens firmly, and press out cutout shapes by hand using gentle firm pressure with finger or blunt instrument such as the eraser end of a pencil. **DO NOT TO PUT EXCESSIVE PRESSURE ON UNSUPPORTED SCREENS TO AVOID CREASING.** If cutout shape is not fully cut through, an Exacto-type blade may be used to cut any remaining material.

## **FINAL NOTE**

In Kirei will not be responsible for any cutting or mounting not performed by Kirei staff.

## **WORK SAFETY**

In the interest of work safety, it is recommended that people working with Kirei EchoPanel® wear the appropriate safety equipment. Although the product emits zero off-gases, masks and gloves should be worn to ensure the maximum possible safety precautions. For an MSDS form, please contact Kirei.