

EchoStar+



EchoStar+ | Color 660 (Coronet)

Style	Metric	Standard	Depth	Thickness	Weight/Unit	SF/Unit
EchoStar+	910mm x 792.5mm	35.8 in. x 31.2 in.	144.7mm	12mm	8 lbs	5.84

*All specs refer to singular products and not multiples unless specified. Due to the nature of the material, cutting and fabrication process, minor dimensional variances may occur.*

**EchoStar+**

EchoStar+ is one of Kirei’s most dimensional and unique ceiling products that is favored for its functionality and aesthetic. EchoStar+ allows designers to express design values while simultaneously helping room occupants communicate freely with minimal noise disruption. EchoStar+ is crafted with the 12mm PET, which comes in over 30 vivid colors and offers superior sound absorption. Its unique diamond facets diffuse noise while the PET felt faces absorb sound waves, controlling echoes in large, open concept environments.

**Sound Absorption**

Frequency	250Hz	500Hz	800Hz	1000Hz	2000Hz	4000Hz	NRC
m <sup>2</sup> /Object	2.84	4.94	5.55	5.79	6.88	7.12	0.50-1.20 (determined by installation)

*Acoustic data is measured in Sabins per EchoStar+.*

**Fire Rating**

ASTM E84 Class A

**VOC Emissions**

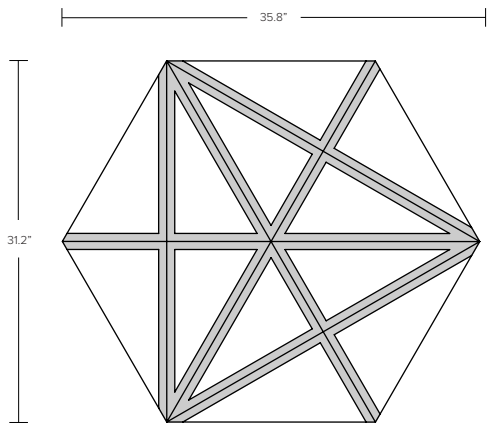
CDPH (CA 01350) Compliant; TVOC: <0.5 mg/m3  
 Ecospecifier GreenTag Compliant  
 TVOC: 0.015 mg/m2/hr (ASTM D5116)



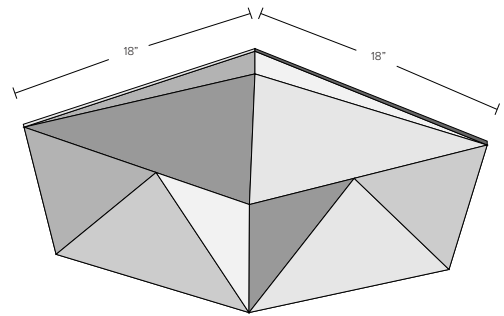
EchoStar+ | Color 442 (Grey)

# ECHOPANEL: ECHOSTAR+

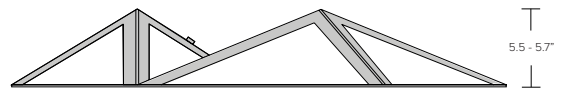
## Dimensional Detail



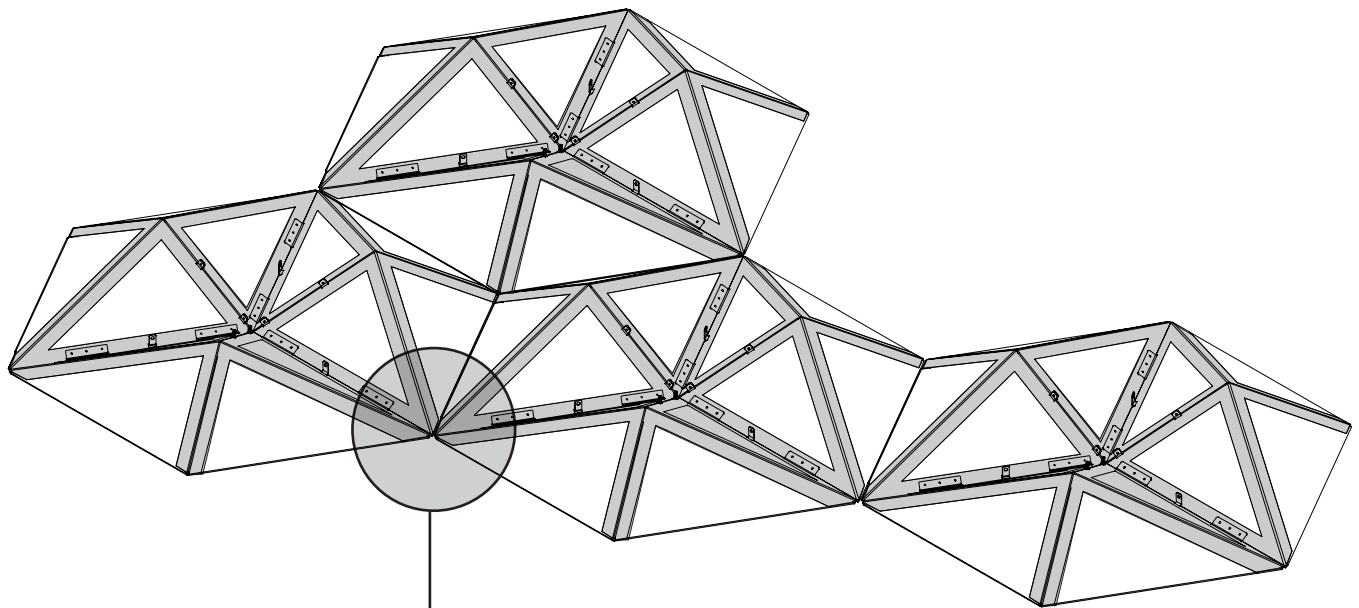
Plan View



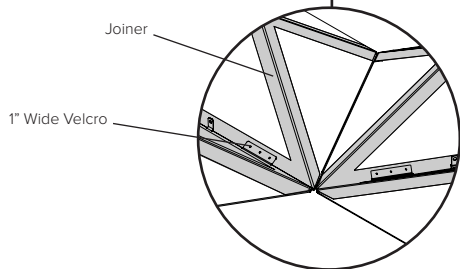
Direct View



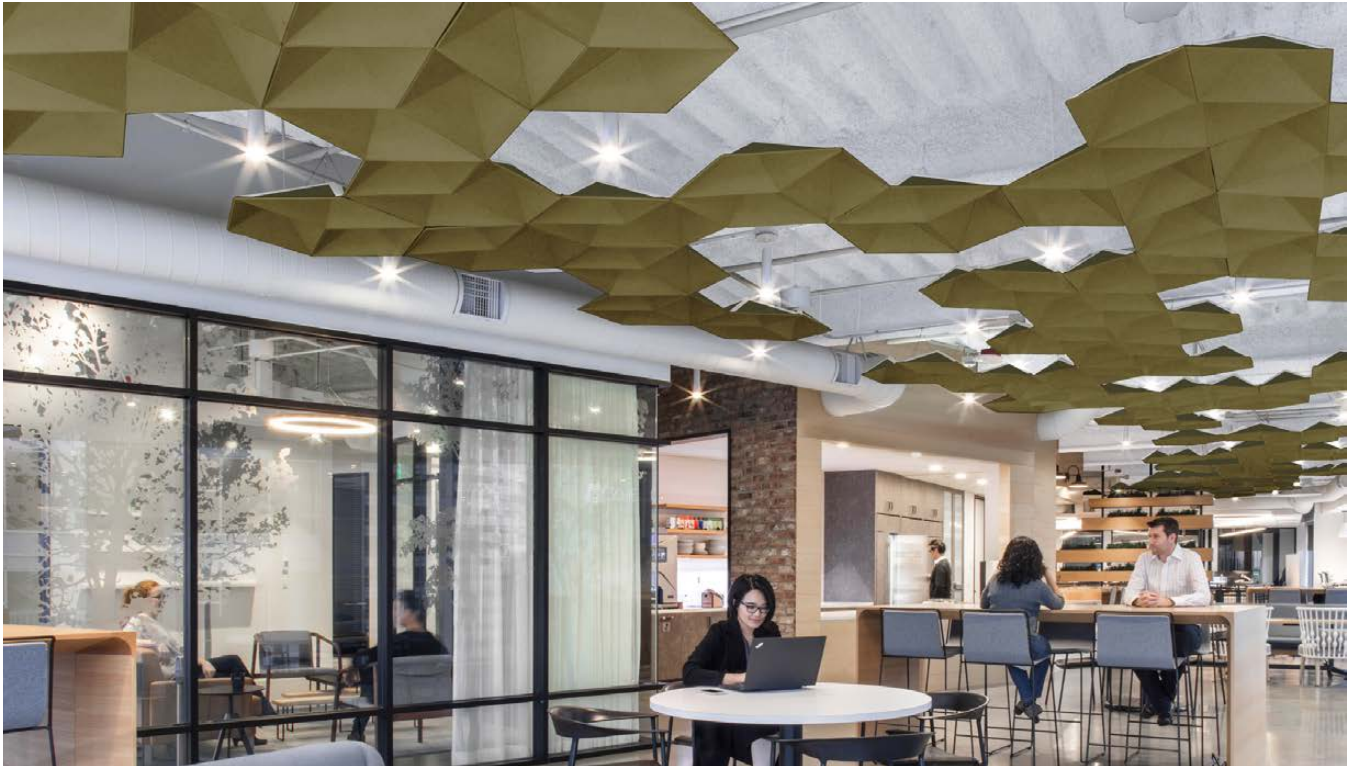
Elevation View



Assembly View



Joiner Detail

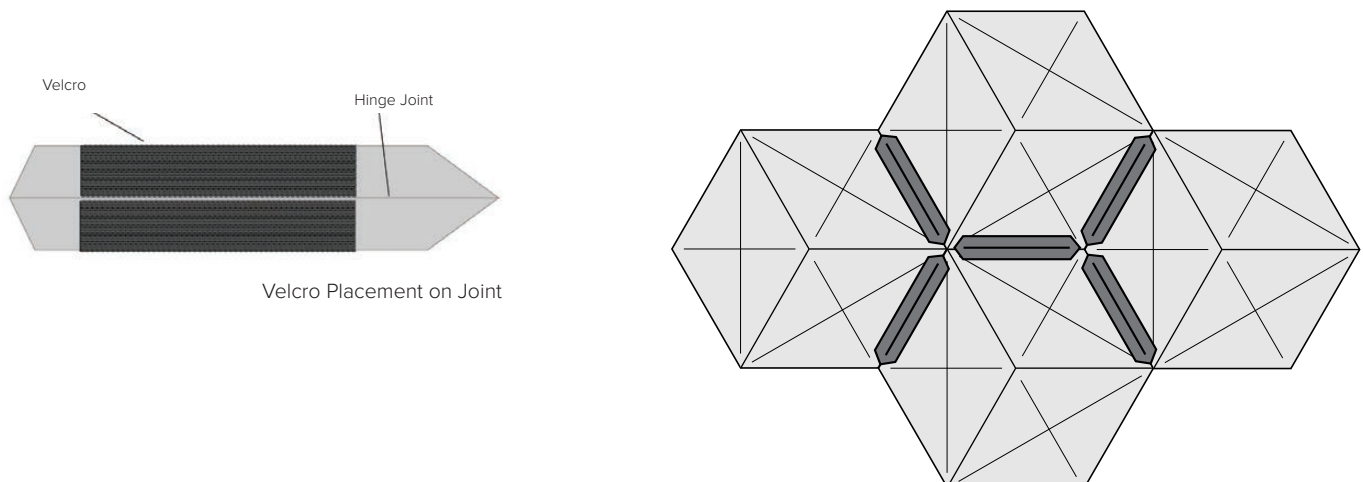


EchoStar+ | Color 384 (Olive)

## Hardware

Joiners are used to unify EchoStar+ clusters at each adjoining flat edge where two EchoStar+'s meet. When ordering multiple EchoStar+ units to be hung in groups, order one Joiner bracket for each pair of edges where EchoStar+'s meet (i.e., one bracket per joint).

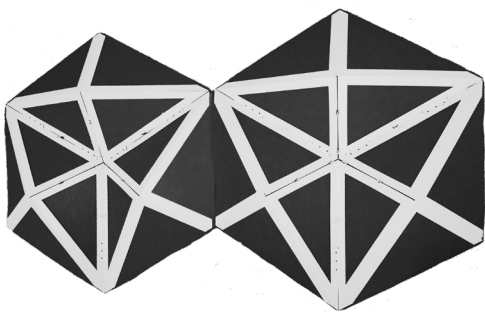
Each Joiner is supplied with peel-and-stick Velcro ready for application. Peel backer from exposed Velcro and attach adhesive side to EchoStar+ exposed EchoPanel.



Available Solid Colors



Customizable Frames & Installation



EchoStar+ frames come standard in white but can be customized to any RAL color as a custom option.

EchoStar+'s can be ceiling hung using cable and appropriate ceiling mounts. (Ceiling mounts and cable not provided.)



EchoStar+ | Color 542 (Black) with White frames