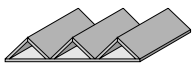


kirei

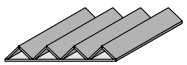


EchoRidge

VISUAL MOTION & ACOUSTIC CONTROL



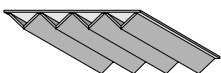
EchoRidge Mini



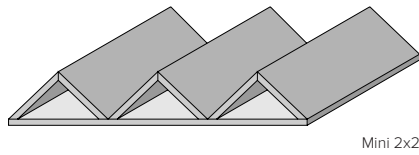
EchoRidge Micro



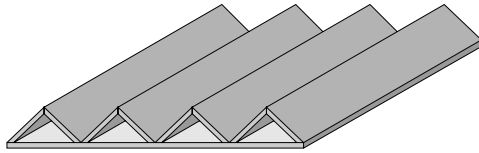
EchoFold Mini ACT



EchoFold Micro ACT



Mini 2x2



Micro 2x2



EchoRidge Micro 2x4 | Color 274 (Orchid)

Style	Metric Length x Folded Width	Standard Length x Folded Width	Installed Height	Thickness	Weight	SF/Unit
Mini 2x2	584mm x 584mm	23 in. x 23 in.	114mm (4.5 in.)	12mm	5 lbs	3.7
Mini 2x4	584mm x 1168mm	23 in. x 46 in.	114mm (4.5 in.)	12mm	10 lbs	7.35
Micro 2x2	584mm x 584mm	23 in. x 23 in.	89mm (3.5 in.)	12mm	5 lbs	3.7
Micro 2x4	584mm x 1168mm	23 in. x 46 in.	89mm (3.5 in.)	12mm	10 lbs	7.35

All specs refer to singular products and not multiples unless specified. Due to the nature of the material, cutting and fabrication process, minor dimensional variances may occur. Custom options available upon request. EchoRidge is sold individually, and is folded and assembled prior to shipping for simple adhesive installation.

Sound Absorption

Frequency	250Hz	500Hz	800Hz	1000Hz	2000Hz	4000Hz	NRC
m ² /Object	3.47	7.31	7.85	7.48	7.38	7.44	0.95

Acoustic data is measured in Sabins per EchoRidge Mini.

EchoRidge

Navigate acoustic obstacles with EchoRidge, the unique dual-layer wall and ceiling tile that helps capture and absorb unwanted sound. EchoRidge comes in two styles — Mini and Micro — in both 2x2 and 2x4 tile sizes and is available in a variety of colors from neutral to vibrant tones. Customization is also available for your unique design concepts.

Fire Rating

ASTM E84 Class A

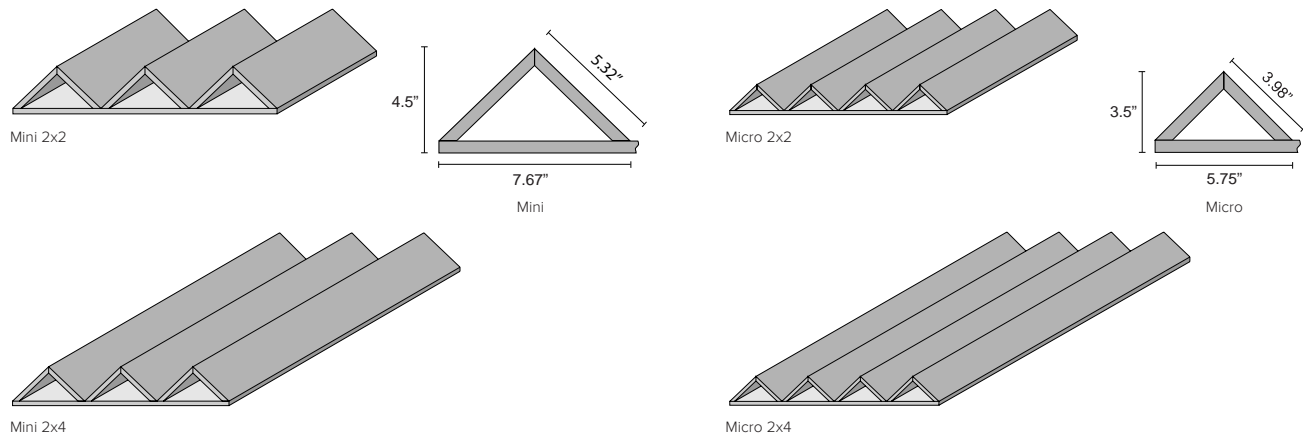
VOC Emissions

CDPH (CA 01350) Compliant; TVOC: <0.5 mg/m³
 Ecospecifier GreenTag Compliant;
 TVOC: 0.015 mg/m²/hr (ASTM D5116)



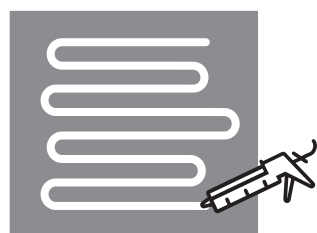
EchoRidge Mini 2x2 | Color 442 (Grey)

Available Design Styles



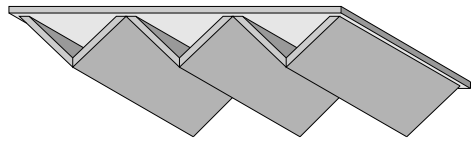
Note: EchoRidge is sold as an individual 3- or 4-peaked unit with a backer.

Available Solid Colors

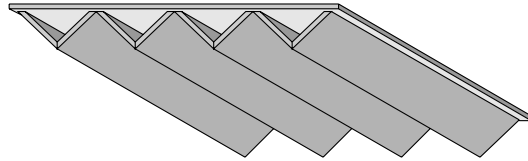


Installation

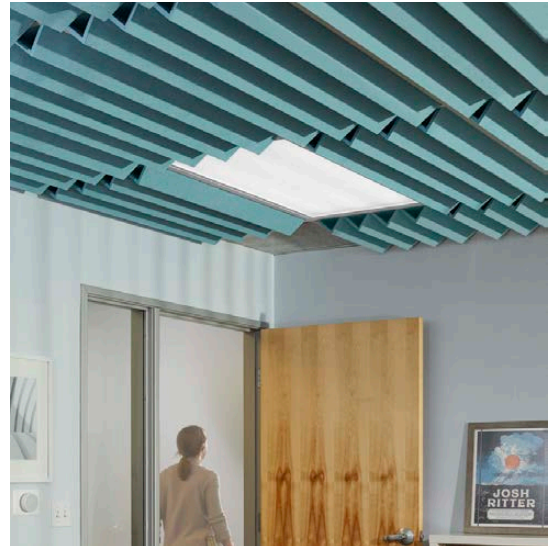
EchoRidge ships fully assembled with a backer. Install this product using standard construction adhesive (non-PVA) or mechanical fasteners. Line up adjoining elements prior to attaching. Visit www.kireiusa.com to download the EchoRidge Installation Guide.



Mini ACT 2x2



Micro ACT 2x2



EchoRidge Micro ACT 2x2 and 2x4 | Color 551 (Duck Egg)

Style	Metric Length x Folded Width	Standard Length x Folded Width	Exposed Height	Thickness	Weight	SF/Unit
Mini ACT 2x2	600mm x 600mm	23.6 in. x 23.6 in.	102mm (4 in.)	12mm	5 lbs	4
Mini ACT 2x4	600mm x 1200mm	23.6 in. x 47.2 in.	102mm (4 in.)	12mm	10 lbs	8
Micro ACT 2x2	600mm x 600mm	23.6 in. x 23.6 in.	76mm (3 in.)	12mm	5 lbs	4
Micro ACT 2x4	600mm x 1200mm	23.6 in. x 47.2 in.	76mm (3 in.)	12mm	10 lbs	8

All specs refer to singular products and not multiples unless specified. Due to the nature of the material, cutting and fabrication process, minor dimensional variances may occur. Custom options available upon request. EchoRidge ACT is sold individually, and is folded and assembled prior to shipping for simple drop-in installation

Sound Absorption

Frequency	250Hz	500Hz	800Hz	1000Hz	2000Hz	4000Hz	NRC
m ² /Object	3.47	7.31	7.85	7.48	7.38	7.44	0.95

Acoustic data is measured in Sabins per EchoRidge Mini.

EchoRidge ACT

Create acoustic nirvana in any standard drop ceiling with the peaks and valleys of EchoRidge ACT. The unique modules easily install into an existing grid, adding both dimension and sound absorption. EchoRidge ACT comes in two styles — Mini and Micro — in both 2x2 and 2x4 tile sizes and is available in a variety of colors from neutral to vibrant tones. Customization is also available for your unique design concepts.

Fire Rating

ASTM E84 Class A

VOC Emissions

CDPH (CA 01350) Compliant; TVOC: <0.5 mg/m³

Ecospecifier GreenTag Compliant;
TVOC: 0.015 mg/m²/hr (ASTM D5116)

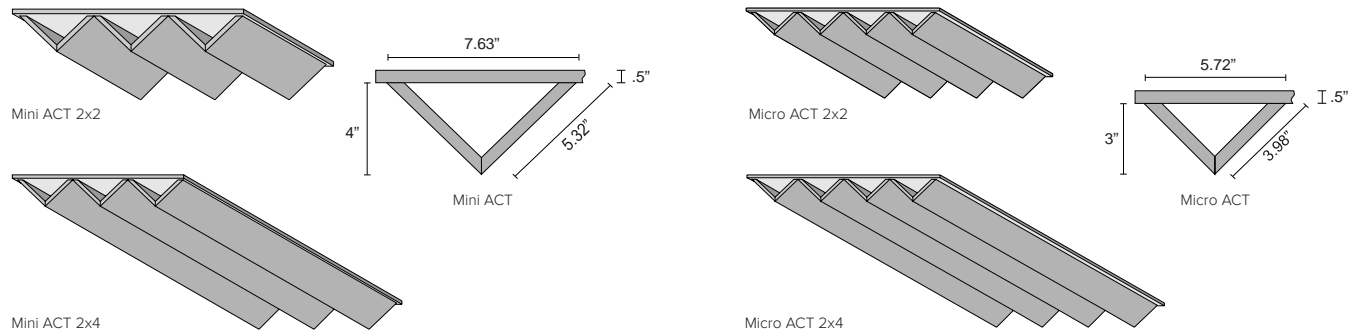


EchoRidge Mini ACT 2x2 and 2x4 | Color 444 (Smoke)

ECHOPANEL: ECHORIDGE ACT



Available Design Styles



Note: EchoRidge ACT is sold as an individual 3- to 4-peak unit with an EchoPanel backer.

Available Solid Colors



EchoRidge Micro ACT 2x4 | Color 580 (Sage)

Installation

EchoRidge ACT tiles easily fit into a standard 15/16" ACT ceiling grid. Simply remove any existing ACT tile and install EchoRidge ACT in its place. Download the EchoRidge ACT Installation Guide for more information.

If you have a different ceiling grid, contact us for customization to match your needs.