



kirei

ECHOCLOUD FLAT

Acoustic Ceiling Solution

Deep Clouds provide visual depth and sound absorption to wall-challenged spaces. Use Deep acoustic clouds to reduce reverberation and help quiet noisy open-space environments, no matter the ceiling type.

Product shown: Flat Circle Clouds in Color 101 (Frost)

Specs

Style	Standard (LxH)	Thickness	Weight	SF/Unit
Circle Small Cloud	Diameter: 23 in.	0.47 in.	2 lbs	2.9
Circle Medium Cloud	Diameter: 33 in.	0.47 in.	6 lbs	5.9
Circle Large Cloud	Diameter: 46 in.	0.47 in.	8 lbs	11.5
Hex Cloud	36 in. x 31.18 in.	0.47 in.	6 lbs	5.8
Oval Cloud	94 in. x 46 in.	0.47 in.	16 lbs	26.9
Rectangle Small Cloud	46 in. x 23 in.	0.47 in.	4 lbs	7.3
Rectangle Large Cloud	94 in. x 46 in.	0.47 in.	16 lbs	30
Square Small Cloud	23 in. x 23 in.	0.47 in.	2 lbs	3.7
Square Large Cloud	46 in. x 46 in.	0.47 in.	8 lbs	14.7

All specs refer to singular products and not multiples unless specified. Due to the nature of the material, cutting and fabrication process, minor dimensional variances may occur.

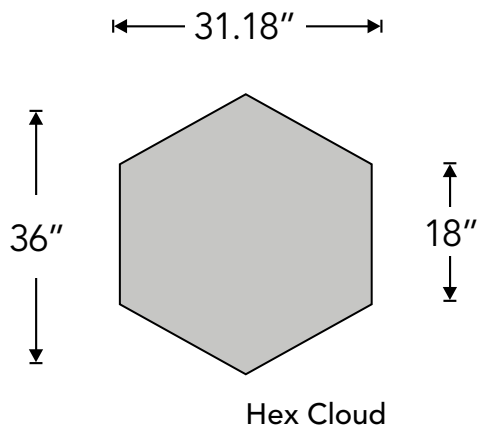
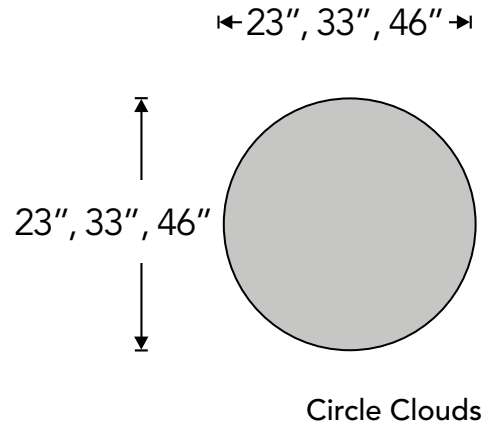
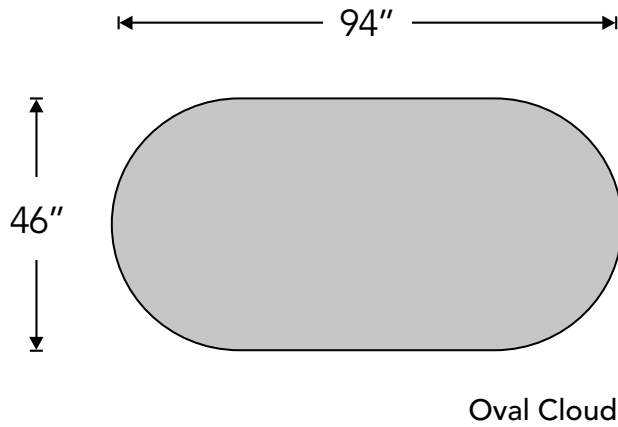
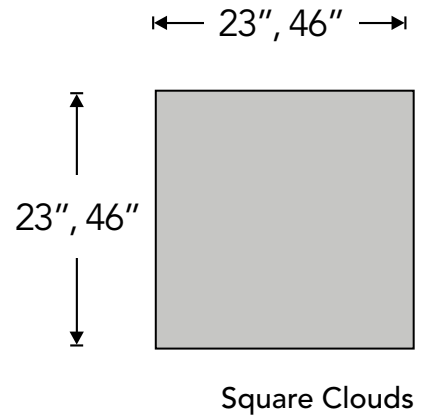
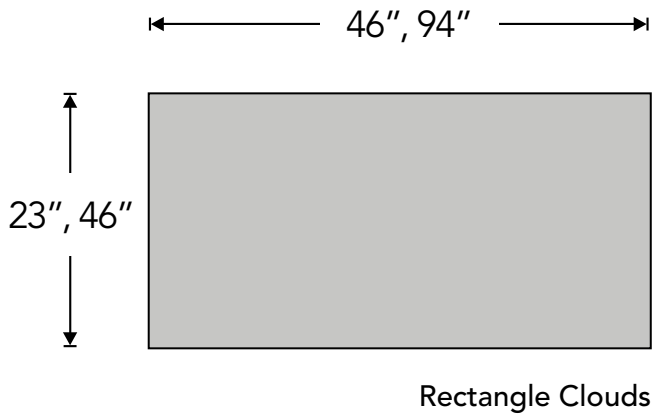
Specs

Designer	Kirei
Panel Thickness	12mm EchoPanel®
Material	EchoPanel®, a registered trademark of Woven Image®, is PET felt made with at least 60% post-consumer content.
NRC	Contact Kirei for this test data.
Fire Rating	ASTM E84 Class A
Custom Options	Available upon request
Lead Time	*4-6 weeks (1-50 clouds) <i>For larger quantities, lead times determined per order</i>
VOC Emissions	CDPH (CA 01350) Compliant TVOC: <0.5 mg/m ³ Ecospecifier GreenTag Compliant TVOC: 0.015 mg/m ² /hr (ASTM D5116)

*Actual lead times are determined when the project goes into production and can change based on production schedule and all quantities, color and thicknesses being in stock at time of order. See [Kirei's Product Lead Time Disclosure](#) for more information.



Product Dimensions



Available Colors



101 Frost



108 Sunshine



124 Ochre



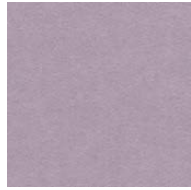
167 Cinnamon



193 Rouge



269 Wine



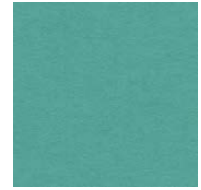
274 Orchid



276 Lavender



295 Mandarin



325 Viridian



330 Ivy



338 Jade



349 Vineyard



365 Navy



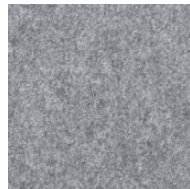
381 Lime Splice



384 Olive



402 Pebble



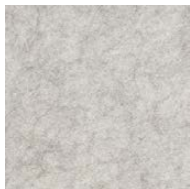
442 Grey



444 Smoke



447 Slate



454 Mushroom



468 Vanilla



487 Blush



500 White



542 Black



550 Onyx



551 Duck Egg



576 Magenta



579 Pistachio



580 Sage



633 Pacific



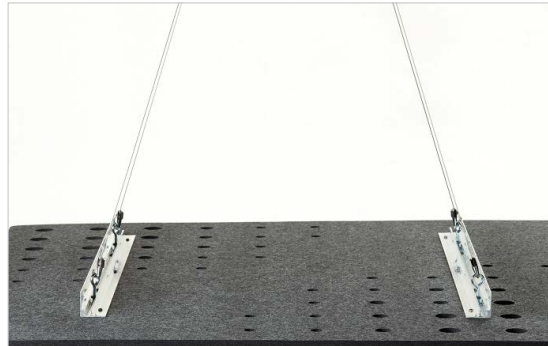
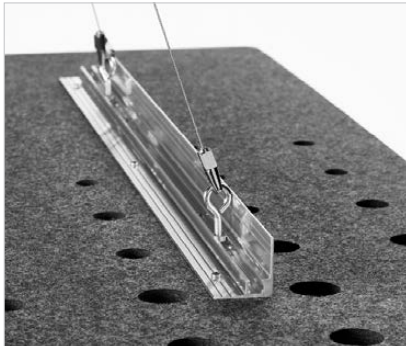
660 Coronet



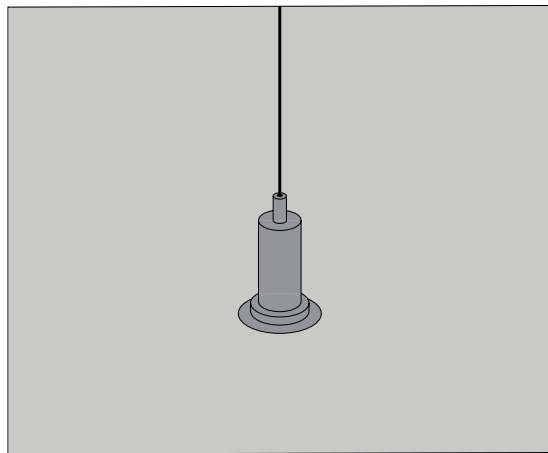
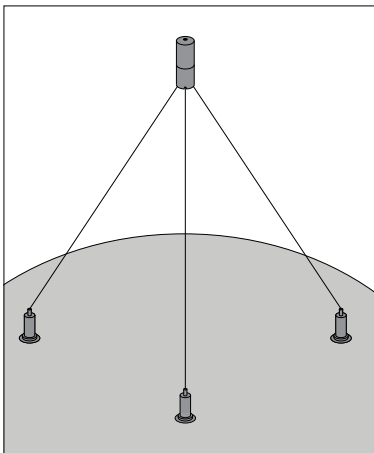
908 Cream

Installation

Flat Clouds may be hung from a variety of ceiling types by using cable suspension or threaded rod. EchoCloud mounting options include our Griplock Cloud Cable Set (for Circle Clouds only) or Cloud Track flexible mounting system. Select your mounting option for looks or flexibility as needed. Ceiling mounting hardware and cables are not included. For more information, see the [EchoCloud Installation Guide](#).



Cloud Track Installation



Cable System Installation

Custom Printing with Kirei Ink

Flat Clouds can be custom printed in house with Kirei Ink. We would love to work with you to print your own custom color, pattern, graphic or material. Reach out and our team will be ready to assist!

Please note: Kirei requires written permission from the copyright holder in order to reproduce any copyrighted work. Professional photographs cannot be reproduced without written permission from the photographer.



Product shown: Custom Flat Clouds in Color 500 (White)

kirei

Learn more and request your free sample:

619.236.9924 | sales@kireiusa.com

kireiusa.com