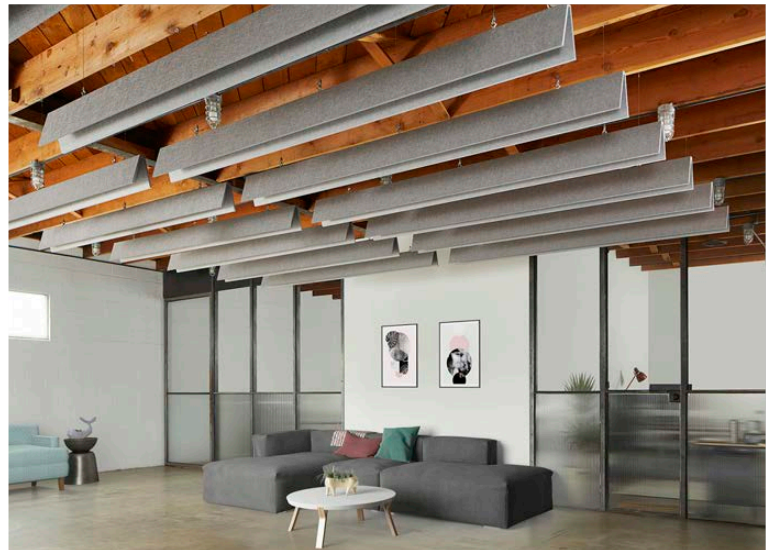




A Baffle



A Baffle | Color 444 (Smoke)

| Style             | Metric             | Standard       | Width             | Weight  | LF/Unit |
|-------------------|--------------------|----------------|-------------------|---------|---------|
| 40" Length Baffle | 1016mm x 177.8mm   | 40 in. x 7 in. | 133.4mm (5.3 in.) | 2.6 lbs | 3.3     |
| 48" Length Baffle | 1219.2mm x 177.8mm | 48 in. x 7 in. | 133.4mm (5.3 in.) | 3.2 lbs | 4       |
| 72" Length Baffle | 1828.8mm x 177.8mm | 72 in. x 7 in. | 133.4mm (5.3 in.) | 4.8 lbs | 6       |
| 96" Length Baffle | 2438.4mm x 177.8mm | 96 in. x 7 in. | 133.4mm (5.3 in.) | 6.3 lbs | 8       |

All specs refer to singular products and not multiples unless specified. Due to the nature of the material, cutting and fabrication process, minor dimensional variances may occur.

## Sound Absorption

| Frequency              | 250Hz | 500Hz | 800Hz | 1000Hz | 2000Hz | 4000Hz | Average |
|------------------------|-------|-------|-------|--------|--------|--------|---------|
| m <sup>2</sup> /Object | 0.98  | 3.30  | 5.38  | 5.22   | 4.72   | 2.02   | 3.30    |

Acoustic data is measured in Sabins per A Baffle.

## A Baffle

Add dimension to the fifth wall with the A Baffle. Designed to enhance open ceiling spaces and relieve excess sound reverberation issues, the A-shaped ceiling element features a flat, clean bottom plane and seamless aesthetic. Hang A Baffles in regular rows, random groupings, or with other baffle systems to create beautiful architectural design solutions. Custom configurations available.

## Fire Rating

ASTM E84 Class A

## VOC Emissions

CDPH (CA 01350) Compliant; TVOC: <0.5 mg/m<sup>3</sup>

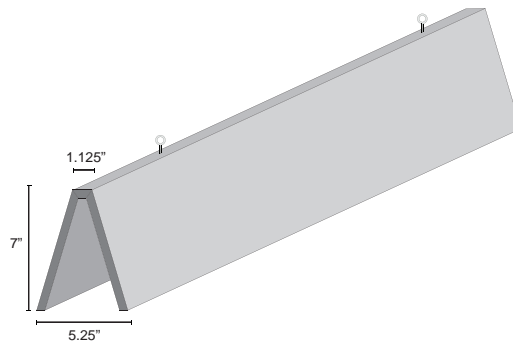
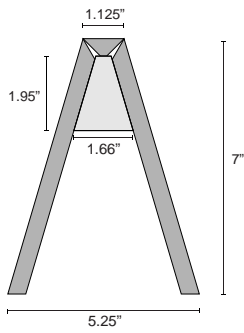
Ecospecifier GreenTag Compliant;  
TVOC: 0.015 mg/m<sup>2</sup>/hr (ASTM D5116)



A Baffle | Color 276 (Lavender)

# ECHOPANEL: A BAFFLE

## Dimensional Detail



## Available Solid Colors



Eyebolt Mounting Hardware

## Hardware & Installation

A Baffles have two attachment points with a 1/4"-20 female thread and come with your choice of eyebolts or 1/4"-20 male threaded screw hardware.

To install A Baffles, attach the specified ceiling mounting hardware and suspension cable/chain/rod/etc. with the appropriate connector at the bottom end. Once the ceiling hardware is installed, attach the connector to the supplied attachment hardware on the A Baffle.

*Note: Kirei does not provide ceiling mounting hardware or cable/chain/rod.*