



Note: Please read this application guide before beginning installation. This application guide is presented in good faith to help in the use of Kirei EchoPanel® products. Kirei accepts no responsibility for installation actions taken or not taken. This document is not intended as an all-encompassing guide, your knowledge as an experienced installer needs to be applied. This application guide contains only recommendations; if you have any questions about installation techniques please contact Kirei at info@kireiusa.com or 619.236.9924

H-BAFFLE SPECIFICATIONS

WHAT IS H-BAFFLE?

H-Baffle is a ceiling-hung acoustic baffle system made from EchoPanel®, a decorative acoustically absorbent panel with a felt-like finish. EchoPanel is made from 100% PET plastic containing up to 60% post-consumer content. EchoPanel is also recyclable in the PET waste stream.

HOW IS H-BAFFLE USED?

EchoPanel H-Baffles are sound absorbent baffles designed to be hung from ceilings H-Baffles provide an extremely high level of noise absorption due to the double baffle geometry combined with hollow-core technology. Typical specification are continuous runs at 12"-15" spacing depending on install height.

H-Baffles are offered in (4) standard lengths (40", 48", 72" and 96") and can be custom ordered up to 94" length and custom depths and thicknesses to fit the specifics of your project. H-Baffles are typically hung via cable suspension systems or chain, but they can also be mounted directly to ceilings, or with T-grid clips and coupler nuts to enable mounting to drop ceilings.

PARTS:

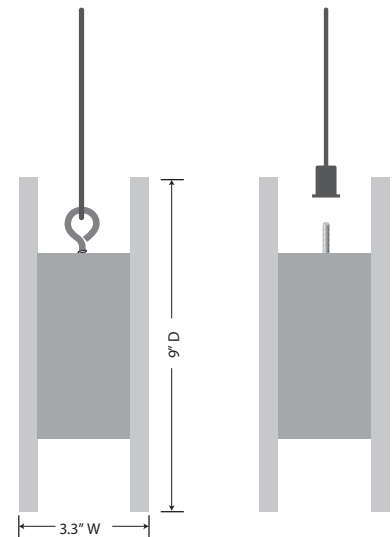
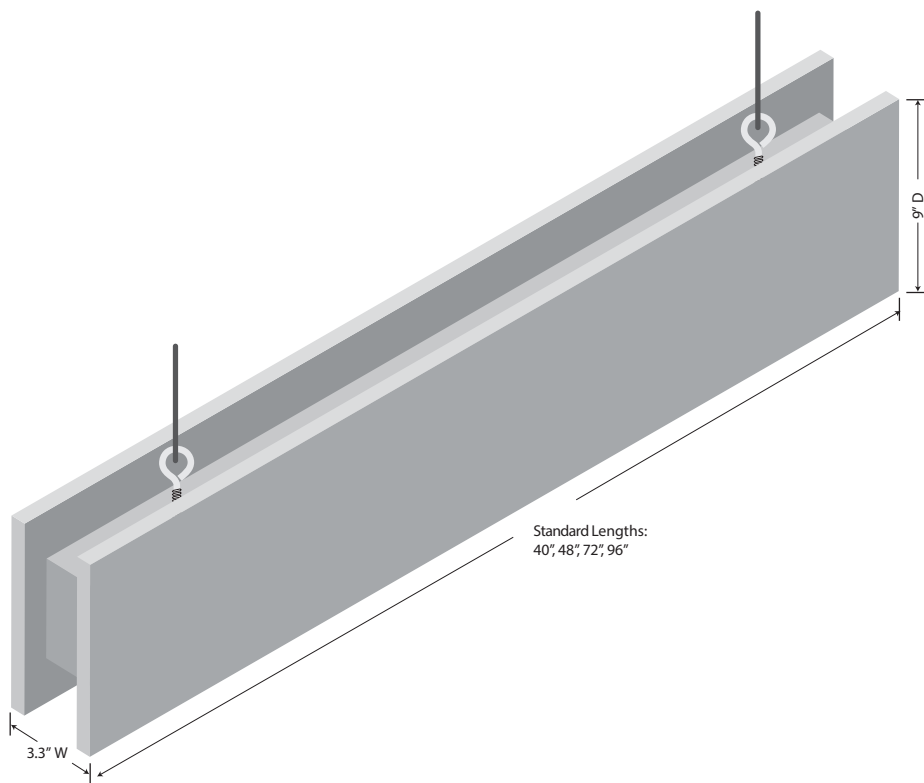
Standard H-Baffles come pre-assembled, ready to hang. each standard H-baffle has (2) attachment points centered 7.5" from each end of the H-baffle assembly. These attachment points come with either ¼"-20 Eyebolts or Set Screws pre-installed -- please specify when ordering..

- Eyebolts are used for chain, s-hooks and looped cable installations.
- Set Screws are for cable suspension systems such as GripLock® or Gyford® that have ¼"-20 female threaded baseplates. Set Screws can also be paired with threaded rod using ¼"-20 coupler nuts

PREFERRED INSTALLATION:

The safest and easiest install is achieved by evaluating the location in advance. Typically 2 persons are needed for most applications. H-Baffles are shipped ready to hang, no assembly required.

Attach appropriate ceiling mounting hardware and suspension cable, chain, rod etc. with appropriate termination connector at bottom end, then attach to supplied attachment hardware on the H-baffle. ensure that final installation is placed correctly and leveled to specification. . Remove from packaging, confirm color and undamaged condition, compatibility of your hanging hardware, position as specified and check level and alignment for each unit.

**MOUNTING HARDWARE OPTIONS**

H-Baffle comes with either Eyebolt or 1/4"-20 male threaded rod which is compatible with female 1/4"-20 mounting hardware

Cable termination hardware sold separately

FIRE RATING:

EchoPanel® 12mm and 24mm panels are Class C fire rated by the ASTM E84 test. EchoPanel 7mm and 12mm panels can be treated to satisfy Class A requirements. ASTM E84 test results can be obtained by contacting Kirei at info@kireiusa.com or 619.236.9924.

LOW VOC MATERIAL:

EchoPanel® is considered a low-VOC emitting material making it a healthy building option for interior finishes. EchoPanel® total VOC emission rate is <0.02 mg/m²/hr. (over 7 days).

HANDLING AND STORING:

EchoPanel® panels and tiles should be stored flat. Storage areas should be clean, dry, cool, and well ventilated. EchoPanel® is a soft material which may be damaged by impression or impact, and may be soiled by contact with dirty surfaces or hands. Maintain clean work surfaces and wear clean gloves while handling EchoPanel®. All EchoPanel® products are inspected prior to shipment. Kirei is not responsible for damage in shipment or in storage; customers should carefully inspect all items at time of delivery and note any obvious damage on the delivery receipt. For the customer's protection subsequently discovered concealed damage must be reported immediately to the carrier. Claims to Kirei will not be considered if the sheet has been worked by the customer or others. No claims for labor charges will be allowed in any circumstances.

HANDLING AND STORAGE GUIDELINES:

- Carefully inspect all material at time of delivery and note any obvious damage on the delivery receipt.
- Store EchoPanel® sheets horizontally, with support under full sheets.
- Keep EchoPanel® sheets as clean as possible during storage. Both sides of EchoPanel® should be kept free from grease, wax, dust, and chips that could leave impression.
- Store EchoPanel® sheets indoors, in a dry, cool, well-ventilated area.
- Avoid exposure to heat 150°F (65°C) or greater.
- Keep table tops clean to avoid scratching the sheets.
- Before cutting the sheets, inspect the whole sheet for defects, then recover for protection during fabrication.
- Wear clean gloves when handling the sheets.
- Do NOT store EchoPanel® sheets near radiators, steam pipes, or in direct sunlight.

CLEANING AND CARE:

Remove dust and dirt by dusting, vacuuming, or with a soft cloth or sponge and a solution of carpet or upholstery shampoo. Always use a soft, damp cloth and blot dry. Spot cleaner such as ZEP Commercial Instant Spot Remover has been used with success for light soil. No guarantee is given for cleaning results with this product.

WORK SAFETY:

In the interest of work safety, it is recommended that people working with Kirei EchoPanel® wear the appropriate safety equipment. Although the product emits zero off-gases, masks and gloves should be worn to ensure the maximum possible safety precautions. For an MSDS form, please contact Kirei at info@kireiusa.com or 619-236-9924.