

V-Baffle



V-Baffle | Color 338 (Jade)

	Metric	Standard	Width	Weight	LF/Unit
40" Length Baffle	1016mm x 177.8mm	40 in. x 7 in.	133.4mm (5.3 in.)	2.6 lbs	3.3
48" Length Baffle	1219.2mm x 177.8mm	48 in. x 7 in.	133.4mm (5.3 in.)	3.2 lbs	4
72" Length Baffle	1828.8mm x 177.8mm	72 in. x 7 in.	133.4mm (5.3 in.)	4.8 lbs	6
96" Length Baffle	2438.4mm x 177.8mm	96 in. x 7 in.	133.4mm (5.3 in.)	6.3 lbs	8

All specs refer to singular products and not multiples unless specified. Due to the nature of the material, cutting and fabrication process, minor dimensional variances may occur.

V-Baffle

V-Baffle absorbs open space sounds while bringing linear beauty to the ceiling. The V-shaped baffle uses simple angles and hidden hardware for a clean, flat-bottom plane and a seamless design aesthetic. Hang V-Baffles in regular rows, random groupings, or with other baffle systems to create beautiful architectural design solutions. Custom configurations available.

NRC (SOUND ABSORPTION RATING): ASTM C423-90A

Standard EchoPanel® NRC acoustic data is available for acoustic calculations. Please contact Kirei for this test data.

Fire Rating

ASTM E84 Class C (Class A achievable with treatment)

VOC Emissions

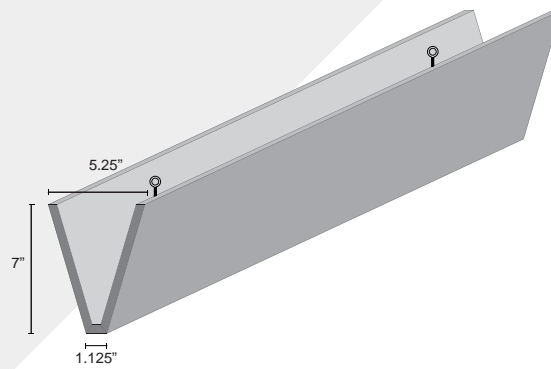
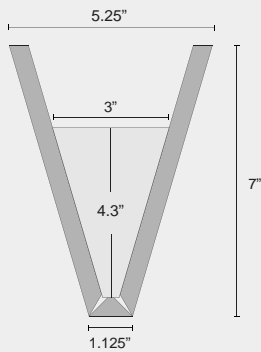
CDPH (CA 01350) Compliant; TVOC: <0.5 mg/m³
 Ecospecifier GreenTag Compliant;
 TVOC: 0.015 mg/m²/hr (ASTM D5116)



V-Baffle | Color 487 (Blush)

ECHOPANEL: V-BAFFLE

Dimensional Detail



Available Solid Colors



Hardware & Installation



Eyebolt Mounting Hardware

Hanging Hardware

V-Baffles have two attachment points with a 1/4"-20 female thread and come with your choice of eyebolts or 1/4"-20 male threaded screw hardware.

To install V-Baffles, attach the specified ceiling mounting hardware and suspension cable/chain/rod/etc. with the appropriate connector at the bottom end. Once the ceiling hardware is installed, attach the connector to the supplied attachment hardware on the V-Baffle.

Note: Kirei does not provide ceiling mounting hardware or cable/chain/rod.