

V-Baffle



V-Baffle | Color 338 (Jade)

Style	Metric	Standard	Width	Weight	LF/Unit
40" Length Baffle	1016mm x 177.8mm	40 in. x 7 in.	133.4mm (5.3 in.)	2.6 lbs	3.3
48" Length Baffle	1219.2mm x 177.8mm	48 in. x 7 in.	133.4mm (5.3 in.)	3.2 lbs	4
72" Length Baffle	1828.8mm x 177.8mm	72 in. x 7 in.	133.4mm (5.3 in.)	4.8 lbs	6
96" Length Baffle	2438.4mm x 177.8mm	96 in. x 7 in.	133.4mm (5.3 in.)	6.3 lbs	8

All specs refer to singular products and not multiples unless specified. Due to the nature of the material, cutting and fabrication process, minor dimensional variances may occur.

Sound Absorption

Frequency	250Hz	500Hz	800Hz	1000Hz	2000Hz	4000Hz	Average
m ² /Object	1.45	3.25	4.95	5.43	4.34	1.05	3.10

Acoustic data is measured in Sabins per V-Baffle.

V-Baffle

V-Baffle absorbs open space sounds while bringing linear beauty to the ceiling. The V-shaped baffle uses simple angles and hidden hardware for a clean, flat-bottom plane and a seamless design aesthetic. Hang V-Baffles in regular rows, random groupings, or with other baffle systems to create beautiful architectural design solutions. Custom configurations available.

Fire Rating

ASTM E84 Class C (Class A achievable with treatment.)

VOC Emissions

CDPH (CA 01350) Compliant; TVOC: <0.5 mg/m³

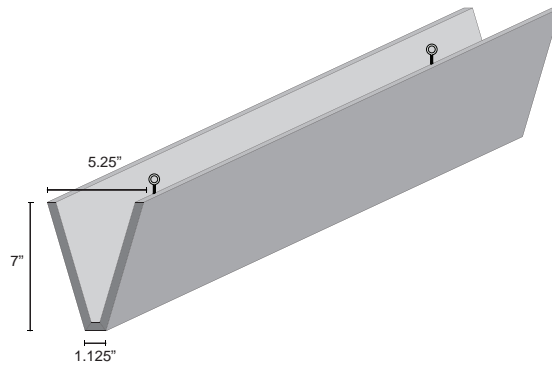
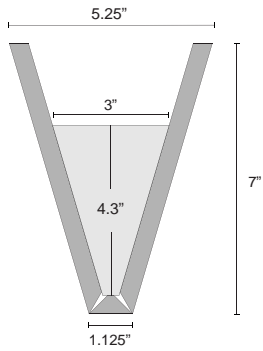
Ecospecifier GreenTag Compliant;
TVOC: 0.015 mg/m²/hr (ASTM D5116)



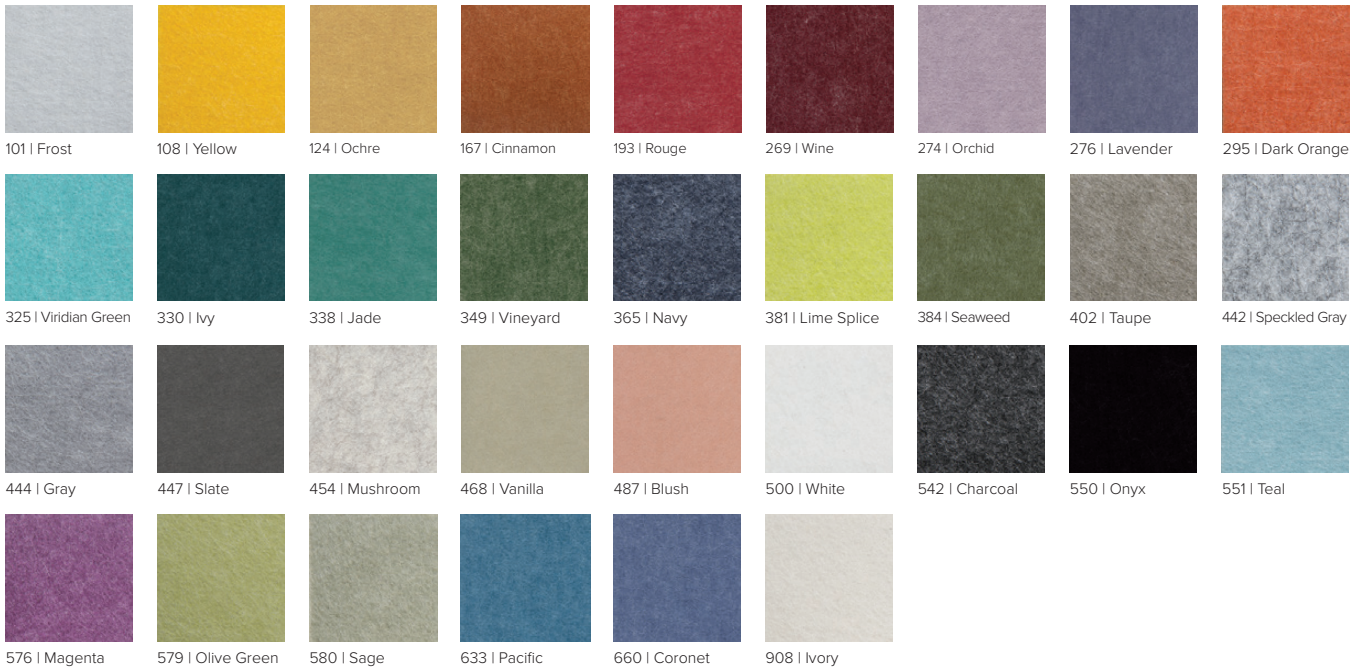
V-Baffle | Color 487 (Blush)

ECHOPANEL: V-BAFFLE

Dimensional Detail



Available Solid Colors



Eyebolt Mounting Hardware

Hardware & Installation

V-Baffles have two attachment points with a ¼"-20 female thread and come with your choice of eyebolts or ¼"-20 male threaded screw hardware.

To install V-Baffles, attach the specified ceiling mounting hardware and suspension cable/chain/rod/etc. with the appropriate connector at the bottom end. Once the ceiling hardware is installed, attach the connector to the supplied attachment hardware on the V-Baffle.

Note: Kirei does not provide ceiling mounting hardware or cable/chain/rod.