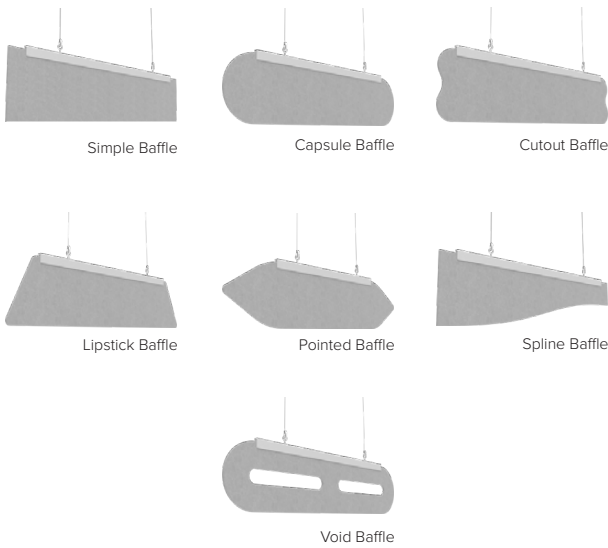


# ECHOPANEL: SIMPLE BAFFLE +



Void Baffle | Color 108 (Yellow)

Style	Metric	Standard	Thickness	Hardware Length	Weight	LF/Unit
40" Baffle	1016mm x 292mm	40 in. x 11.5 in.	12mm	20 - 34 in.	2 lbs	3.3
48" Baffle	1219mm x 292mm	48 in. x 11.5 in.	12mm	28 - 42 in.	2.5 lbs	4
72" Baffle	1829mm x 292mm	72 in. x 11.5 in.	12mm	52 - 66 in.	3.75 lbs	6
96" Baffle	2438mm x 292mm	96 in. x 11.5 in.	12mm	76 - 90 in.	5 lbs	8

All specs refer to singular products and not multiples unless specified. Custom options available upon request.

## Sound Absorption

Frequency	250Hz	500Hz	800Hz	1000Hz	2000Hz	4000Hz	Average
m <sup>2</sup> /Object	4.01	6.06	7.48	8.11	10.32	12.41	6.78

Acoustic data is measured in Sabins per Simple Baffle.

## Simple Baffle +

Love plus one. Watch out sound waves, the Simple Baffle + equips designers with 6 new iconic profile variants to take on harsh, echoey ceilings. Mix and match profiles to create unique layouts even in complicated spaces with HVAC, sprinklers, and lighting to contend with. Abut Simple Baffle + for longer lines, or stagger to create unique visual interest. No matter the plan, Simple Baffle +'s easy spec and easier install will help you deliver your best design, even better.

## Fire Rating

ASTM E84 Class A

## VOC Emissions

CDPH (CA 01350) Compliant; TVOC: <0.5 mg/m<sup>3</sup>

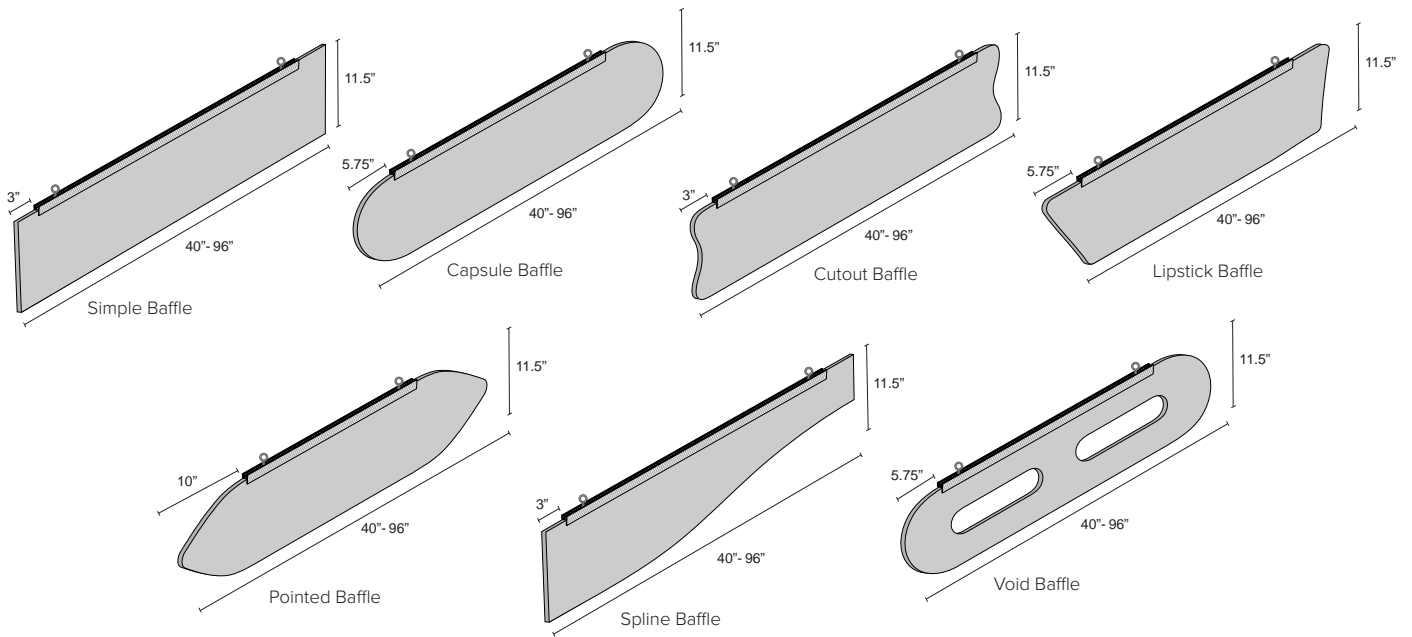
Ecospecifier GreenTag Compliant;  
TVOC: 0.015 mg/m<sup>2</sup>/hr (ASTM D5116)



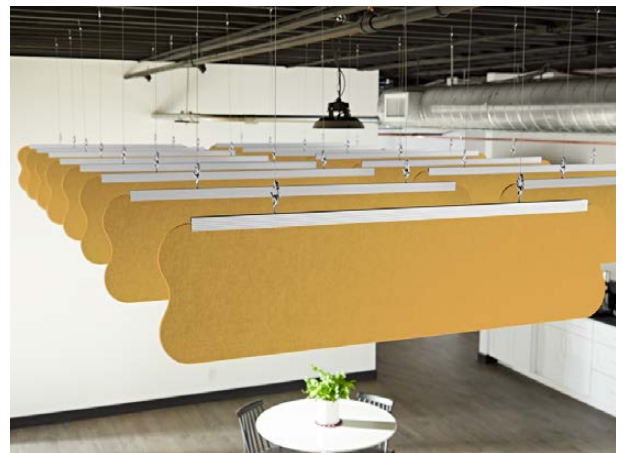
Lipstick Baffle | Color 325 (Viridian Green)

# ECHOPANEL: SIMPLE BAFFLE +

## Dimension Detail



Capsule Baffle | Color 365 (Navy)



Cutout Baffle | Color 124 (Ochre)



Lipstick Baffle | Color 487 (Blush)

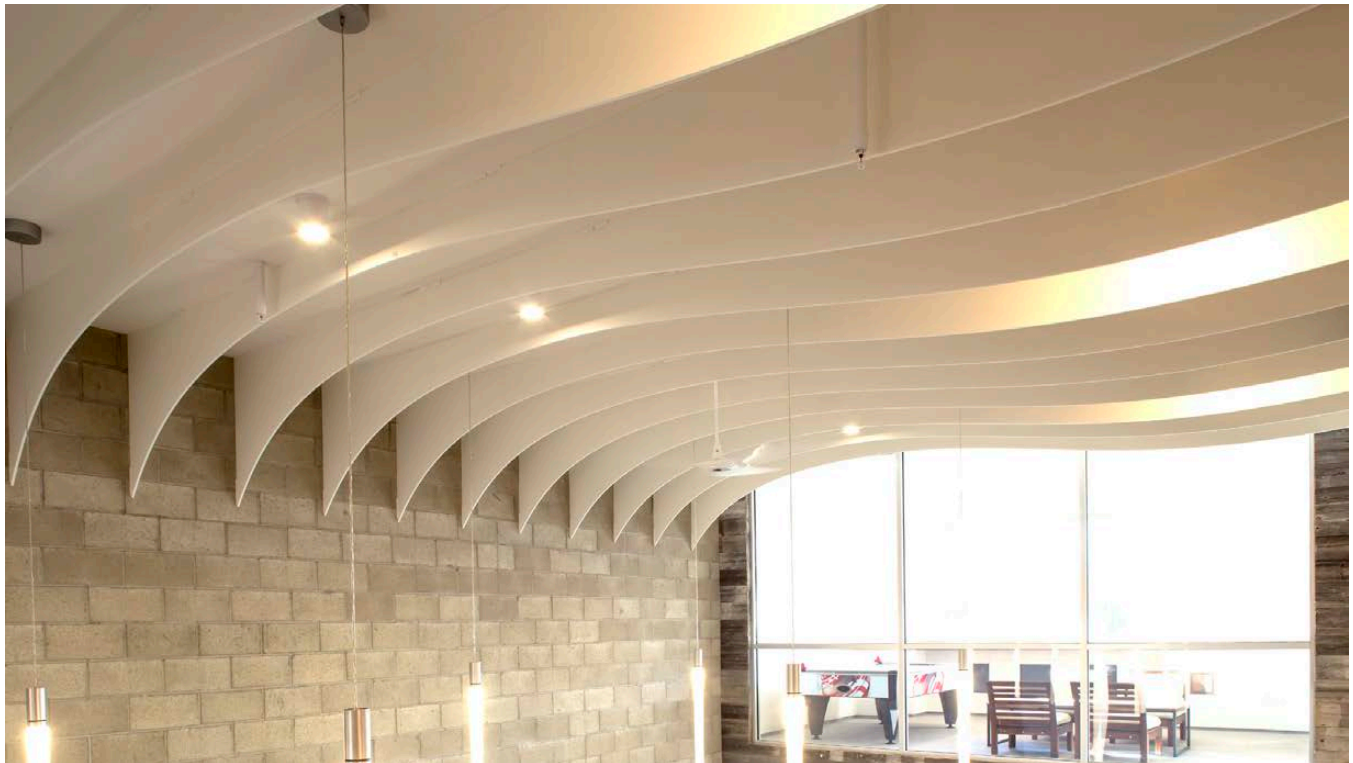


Pointed Baffle | Color 325 (Viridian Green)

Available Solid Colors



Spline Baffle | Color 193 (Rouge)



Custom Baffle | Color 500 (White)

### Customization

Want to try something new? Contact Kirei for information on how to create custom Simple Baffle + profiles for unique spaces with just the right sound.

*Note: Custom Simple Baffle + projects will use custom length brackets as needed.*

### Hardware & Installation

The Simple Baffle +'s adjustable Baf Track™ hardware makes them even easier to install, level, and align just right. Use a variety of hanging hardware (cable, rod, or direct mount) to work with complex ceiling environments and adjust to existing ceiling obstructions for fast, simple installation.

For ACT grid ceilings, Simple Baffle + can be mounted with T-Grid Clips or magnets, available for an additional charge.



Magnet Mounts



T-Grid Clips

