



Simple Baffle + Installation Guide

Note: Please read the entire Installation Guide before application.

The installation guide is intended to provide installers with helpful information regarding Simple Baffle + prior to installing the material. Kirei accepts no responsibility for installation actions taken or not taken. This installation guide is not intended to be an in-depth guide; installers' knowledge as experienced tradesman needs to be applied.

This installation guide serves only as a recommendation for installing and handling Simple Baffle +. If you have questions about application or techniques, contact Kirei at www.kireiusa.com or 619.236.9924.

Hardware Included

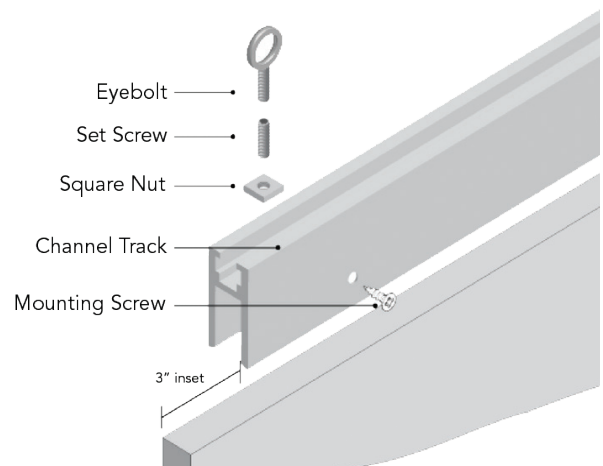
- (1) Aluminum Channel Track
- (2) Fastener Sets
- (2) 1/4"-20 Square Nuts
- (2) 1/4"-20 Eyebolts (for hanging with looped cable or chain)
- (2) 1/4"-20 x 3/4" Set Screws (compatible with most aircraft cable suspension hardware.)
- (2) #8 x 1/2" Mounting Screws

Installation

Due to the great variance in overhead environments, our guidelines are meant to provide suggested placement only. Exact placement and suspension methods are subject to design specification, regional code, site-specific requirements, and installer judgment.

Note: Installers are responsible for supplying the 3/64" - 1/16" aircraft cable and the code compliant ceiling mounting hardware. Kirei does not provide ceiling mounting hardware or cable/chain/rod.

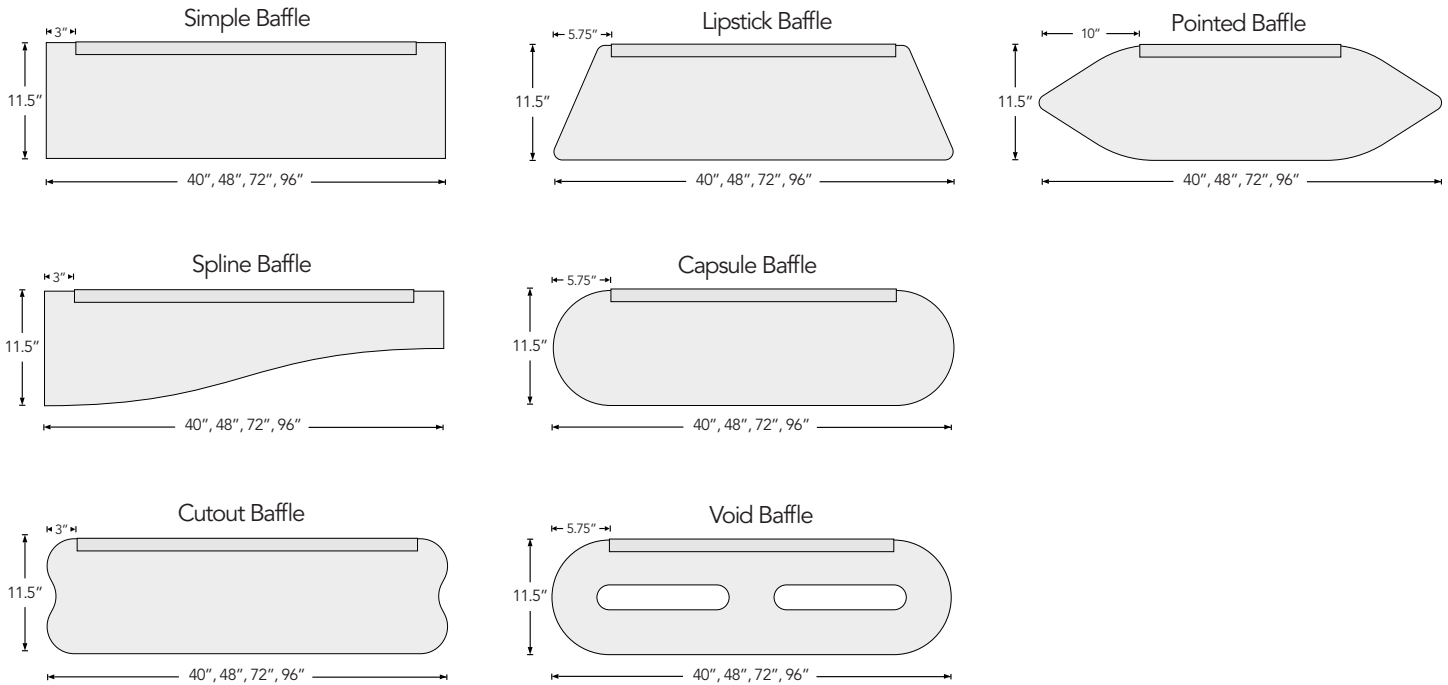
1. Ensure assembly surface is clean and flat.
2. Insert square nuts into track, select either the set screw or the eyebolt depending on specified cable attachment. Set Screw requires 4mm hex tool and turned until fully tightened. Eyebolts may be over-tightened to align square with Channel Track.
3. Mount the Channel Track on center to the top of the Baffle using #8 x 1/2" Mounting Screws.
4. Install track to specified ceiling hardware.
5. Check level after installation.





Simple Baffle + Installation Guide

Standard Baffle Lengths



Custom Baffle Length Examples



Single Channel Track across two Baffles



Double Channel Track across three Baffles



Triple Channel Track across two Baffles



Simple Baffle + Installation Guide

Simple Baffle + Installation Tips

- The square nut can be slid to different positions to avoid HVAC and ceiling obstructions.
- Every bracket (no matter the length or how many brackets per baffle) must have at least 2 connection points to the ceiling.
- When positioning hanging hardware ensure that Baffles are leveled with a leveler and adequately supported across their length.
- If you are abutting baffles, Kirei can provide custom brackets up to 12'.
- If Baffle runs are longer than 12', Kirei's design team can help engineer a custom solution for your project.
- Additional holes can be drilled along the length of the Baffle to account for sagging in multi-baffle projects.
- Longest individual baffle length is 108", but longer rows can be achieved with abutted baffles.

Work Safety

In the interest of work safety, it is recommended that people working with Simple Baffle + wear the appropriate safety equipment. Although the product emits zero off-gases, masks and gloves should be worn to ensure the maximum possible safety precautions. For an SDS form, please contact Kirei at info@kireiusa.com or 619-236-9924.

Final Note

Kirei will not be responsible for any cutting or mounting not performed by Kirei staff.

For any other questions or concerns, please contact Kirei.