

O-Baffle



O-Baffle | Color 468 (Vanilla)

	Metric	Standard	Width	Weight	LF/Unit
40" Length Baffle	1016mm x 254mm	40 in. x 10 in.	76.2mm (3 in.)	4.2 lbs	3.3
48" Length Baffle	1219.2mm x 254mm	48 in. x 10 in.	76.2mm (3 in.)	4.8 lbs	4
72" Length Baffle	1828.8mm x 254mm	72 in. x 10 in.	76.2mm (3 in.)	7.1 lbs	6
96" Length Baffle	2438.4mm x 254mm	96 in. x 10 in.	76.2mm (3 in.)	9.5 lbs	8

All specs refer to singular products and not multiples unless specified. Due to the nature of the material, cutting and fabrication process, minor dimensional variances may occur.

O-Baffle

O-Baffle is a simple, classic design developed to create a strong visual impact while absorbing maximum sound. This bold baffle can be a focal point in the room or disappear into the ceiling while significantly increasing acoustic control. Integrated airspace of 150 cubic inches per foot provides great sound absorption. Hang O-Baffles in regular rows, random groupings, or with other baffle systems to create beautiful architectural design solutions. Custom configurations available.

NRC (SOUND ABSORPTION RATING): ASTM C423-90A

Standard EchoPanel® NRC acoustic data is available for acoustic calculations. Please contact Kirei for this test data.

Fire Rating

ASTM E84 Class C (Class A achievable with treatment)

VOC Emissions

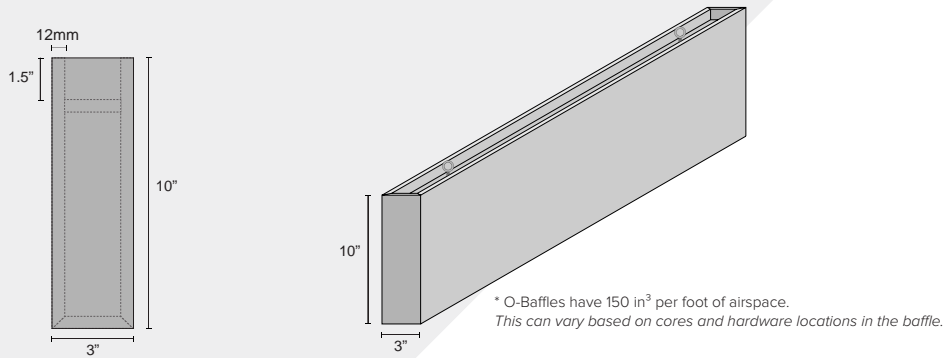
CDPH (CA 01350) Compliant; TVOC: <0.5 mg/m³
 Ecospecifier GreenTag Compliant;
 TVOC: 0.015 mg/m²/hr (ASTM D5116)



O-Baffle | Color 551 (Teal)

ECHOPANEL: O-BAFFLE

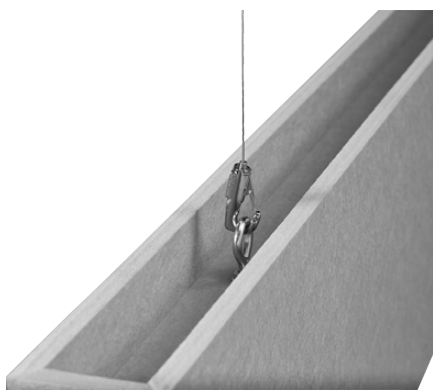
Dimensional Detail



Available Solid Colors



Hardware & Installation



Eyebolt Mounting Hardware

Hanging Hardware

O-Baffles have two attachment points with a 1/4"-20 female thread and come with your choice of eyebolts or 1/4"-20 male threaded screw hardware.

To install O-Baffles, attach the specified ceiling mounting hardware and suspension cable/chain/rod/etc. with the appropriate connector at the bottom end. Once the ceiling hardware is installed, attach the connector to the supplied attachment hardware on the O-Baffle.

Note: Kirei does not provide ceiling mounting hardware or cable/chain/rod.