

I-Baffle I Colors 442 (Speckled Gray), 444 (Gray)



I-Baffle I Colors 442 (Speckled Gray), 487 (Bluish)

	Metric	Standard	Width	Weight	LF/Unit
40" Length	1016mm x 292.1mm	40 in. x 11.5 in.	24mm (1 in.)	3.5 lbs	3.3
48" Length	1219.2mm x 292.1mm	48 in. x 11.5 in.	24mm (1 in.)	4 lbs	4
72" Length	1828.8mm x 292.1mm	72 in. x 11.5 in.	24mm (1 in.)	6 lbs	6
96" Length	2438.4mm x 292.1mm	96 in. x 11.5 in.	24mm (1 in.)	8 lbs	8

All specs refer to singular products and not multiples unless specified. Due to the nature of the material, cutting and fabrication process, minor dimensional variances may occur.

I-Baffle

The EchoPanel® I-Baffle is an acoustically and visually enhanced extension of Kirei's Simple Baffle. The I-Baffle is composed of two 12mm EchoPanel panels attached back-to-back, providing increased acoustic control with an added element of color customization - pick two similar or different panel colors to create new visual effects. Hang EchoPanel I-Baffles in regular rows, random groupings, or with other baffle systems to create beautiful architectural design solutions. Custom configurations available.

NRC (SOUND ABSORPTION RATING): ASTM C423-90A

Standard EchoPanel NRC acoustic data is available for acoustic calculations. Please contact Kirei for this test data.

Fire Rating

ASTM E84 Class C (Class A achievable with treatment)

VOC Emissions

CDPH (CA 01350) Compliant; TVOC: <0.5 mg/m³

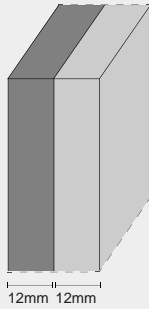
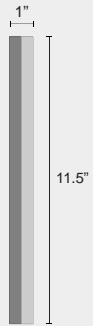
Ecospecifier GreenTag Compliant;
TVOC: 0.015 mg/m²/hr (ASTM D5116)



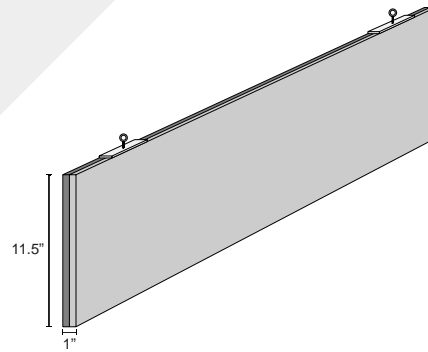
I-Baffle I Colors 442 (Speckled Gray), 338 (Jade)

ECHOPANEL SYSTEMS: I-BAFFLE

Dimension Detail



* I-Baffles can be customized with two panel colors to create new visual effects.



Available Solid Colors



Hardware & Installation



1/4"-20 Male Threaded Screw Mounting Hardware

Hanging Hardware

I-Baffles have two attachment points with a 1/4"-20 female thread and come with your choice of eyebolts or 1/4"-20 male threaded screw hardware.

To install I-Baffles, attach the specified ceiling mounting hardware and suspension cable/chain/rod/etc. with the appropriate connector at the bottom end. Once the ceiling hardware is installed, attach the connector to the supplied attachment hardware on the I-Baffle.

Note: Kirei does not provide ceiling mounting hardware or cable/chain/rod.