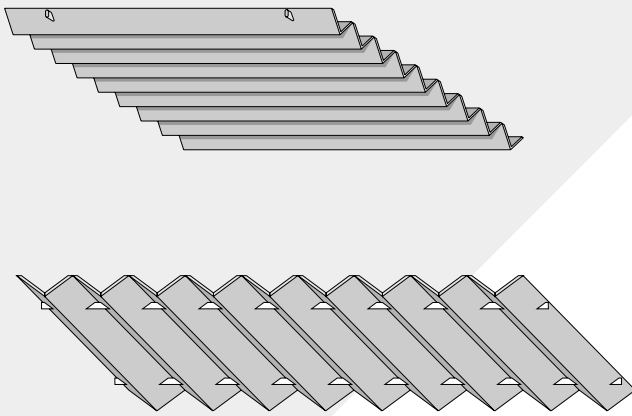


ECHOPANEL: ECHOCLOUD ZIGGY



EchoCloud Ziggy



EchoCloud Ziggy | Color 338 (Jade)

	Metric	Standard	Depth	Weight/Unit	SF/Unit
Ziggy	1168mm x 1829mm	46 in. x 72 in.	100mm (4 in.)	18 lbs	22.8

All specs refer to singular products and not multiples unless specified. Due to the nature of the material, cutting and fabrication process, minor dimensional variances may occur. EchoCloud Ziggy is sold individually with two aluminum tubes. It ships flat and is folded prior to installation.

EchoCloud Ziggy

Delight in better sound by dampening overhead reflections with the acoustic absorption of EchoCloud Ziggy. Perfect for those open, high-ceiling spaces where ambient sounds often clash and distract, Ziggy sits above it all with minimalist edge. Made with 12mm EchoPanel®, this three-dimensional cloud offers a clean, visual aesthetic while quieting commotion. Ziggy is easy to install with looped cable and is available in a variety of colors from neutral to vibrant tones. Customization is also available for your unique design concepts.

NRC (SOUND ABSORPTION RATING): ASTM C423-90A

Standard EchoPanel NRC acoustic data is available for acoustic calculations. Please contact Kirei for this test data.

Fire Rating

ASTM E84 Class C (Class A achievable with treatment)

VOC Emissions

CDPH (CA 01350) Compliant;
TVOC: <0.5 mg/m3

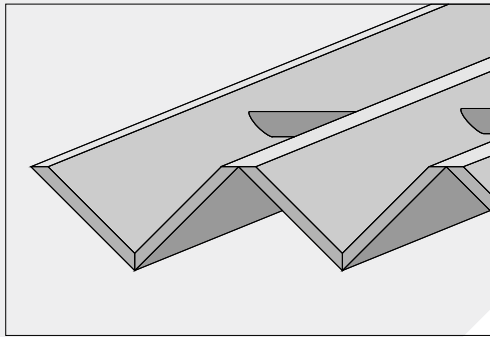
Ecospesifier GreenTag Compliant;
TVOC: 0.015 mg/m2/hr (ASTM D5116)



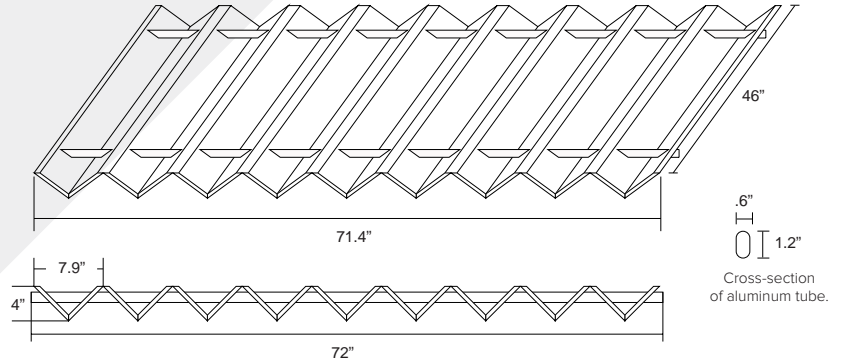
EchoCloud Ziggy | Color 444 (Gray)

ECHOPANEL: ECHOCLOUD ZIGGY

Dimensional Detail



Front View



Available Solid Colors



Hardware & Installation



EchoCloud Ziggy Hardware

Cloud Mounting Options

EchoCloud Ziggy is designed for looped 3/64" to 1/16" aircraft cable to be attached to the oval extrusion from 1 to 3 folds from each end (4 cable drops). This allows for alignment to the best ceiling structure and/or avoidance of overhead intrusions. Download the EchoCloud Ziggy Installation Guide for more information.