

I-Baffle I Colors 442 (Speckled Gray), 444 (Gray)



I-Baffle I Colors 442 (Speckled Gray), 487 (Blush)

	Metric	Standard	Width	Weight	LF/Unit
40" Length	1016mm x 292.1mm	40 in. x 11.5 in.	24mm (1 in.)	3.5 lbs	3.3
48" Length	1219.2mm x 292.1mm	48 in. x 11.5 in.	24mm (1 in.)	4 lbs	4
72" Length	1828.8mm x 292.1mm	72 in. x 11.5 in.	24mm (1 in.)	6 lbs	6
96" Length	2438.4mm x 292.1mm	96 in. x 11.5 in.	24mm (1 in.)	8 lbs	8

*All specs refer to singular products and not multiples unless specified. Due to the nature of the material, cutting and fabrication process, minor dimensional variances may occur.*

**I-Baffle**

The EchoPanel® I-Baffle is an acoustically and visually enhanced extension of Kirei’s Simple Baffle. The I-Baffle is composed of two 12mm EchoPanel panels attached back-to-back, providing increased acoustic control with an added element of color customization - pick two similar or different panel colors to create new visual effects. Hang EchoPanel I-Baffles in regular rows, random groupings, or with other baffle systems to create beautiful architectural design solutions. Custom configurations available.

**NRC (SOUND ABSORPTION RATING): ASTM C423-90A**

Standard EchoPanel® NRC acoustic data is available for acoustic calculations. Please contact Kirei for this test data.

**Fire Rating**

ASTM E84 Class C (Class A treatment available.)

**VOC Emissions**

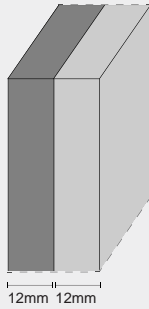
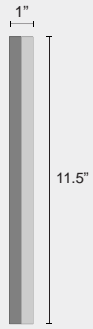
CDPH (CA 01350) Compliant; TVOC: <0.5 mg/m3  
 Ecospecifier GreenTag Compliant;  
 TVOC: 0.015 mg/m2/hr (ASTM D5116)



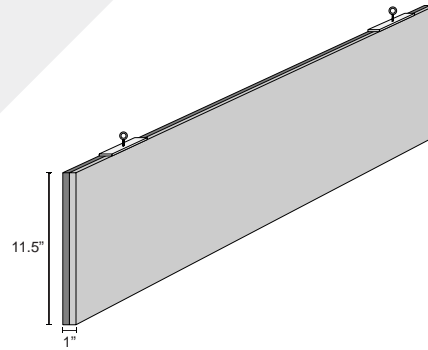
I-Baffle I Colors 442 (Speckled Gray), 338 (Jade)

# ECHOPANEL SYSTEMS: I-BAFFLE


## Dimension Detail



\* I-Baffles can be customized with two panel colors to create new visual effects.



## Available Solid Colors

								
101   Frost	108   Yellow	124   Ochre	151   Orange	193   Rouge	258   Red	269   Wine	273   Blue	274   Orchid
								
276   Lavender	295   Dark Orange	325   Viridian Green	330   Ivy	338   Jade	349   Vineyard	362   Green	365   Navy	381   Lime Splice
								
384   Seaweed	402   Taupe	442   Speckled Gray	444   Gray	454   Mushroom	468   Vanilla	487   Blush	500   White	542   Charcoal
								
550   Onyx	551   Teal	576   Magenta	579   Olive Green	580   Sage	633   Pacific	660   Coronet	908   Ivory	

## Hardware & Installation



1/4"-20 Male Threaded Screw Mounting Hardware

### Hanging Hardware

I-Baffles have two attachment points with a 1/4"-20 female thread and come with your choice of eyebolts or 1/4"-20 male threaded screw hardware.

To install I-Baffles, attach the specified ceiling mounting hardware and suspension cable/chain/rod/etc. with the appropriate connector at the bottom end. Once the ceiling hardware is installed, attach the connector to the supplied attachment hardware on the I-Baffle.

*Note: Kirei does not provide ceiling mounting hardware or cable/chain/rod.*