



Ascent Tiles Installation Guide

Note: Please read the entire Installation Guide before application.

The installation guide is intended to provide installers with helpful information regarding Ascent Tiles prior to installing the material. Kirei accepts no responsibility for installation actions taken or not taken. This installation guide is not intended to be an in-depth guide; installers' knowledge as experienced tradesman needs to be applied.

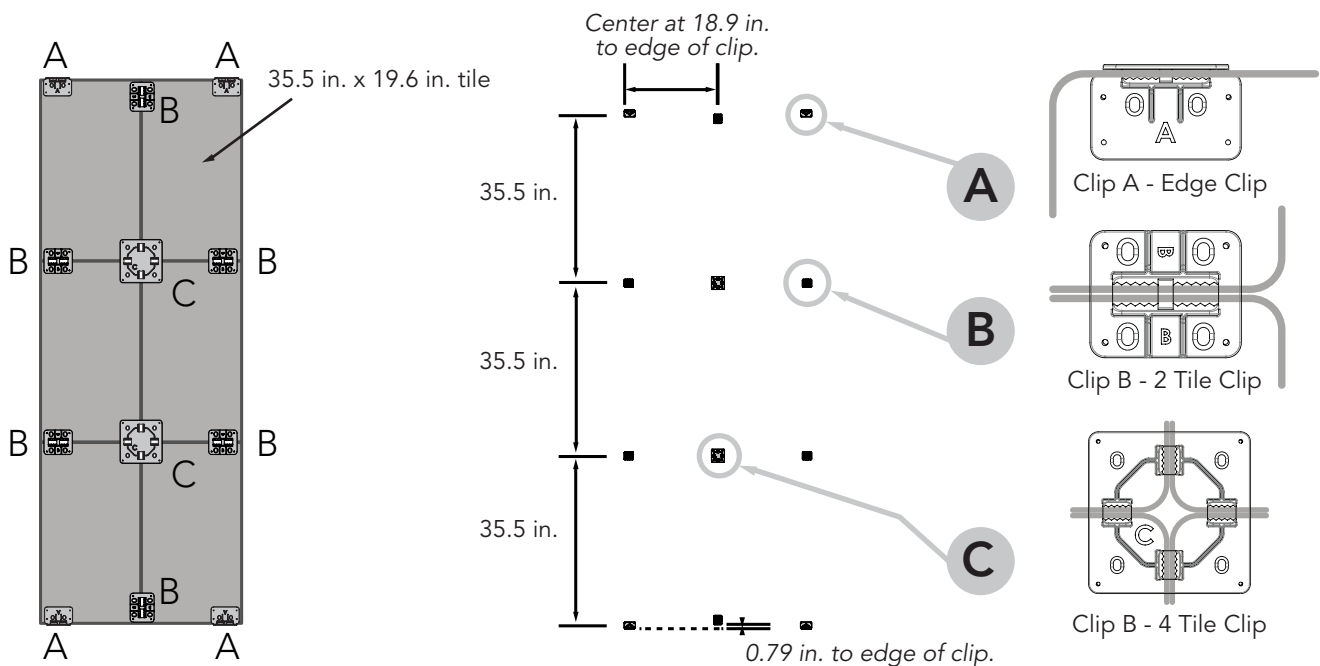
This installation guide serves only as a recommendation for installing and handling Ascent Tiles. If you have questions about application or techniques, contact Kirei at www.kireiusa.com or 619.236.9924.

Contents of One Box

- (6) Ascent Tiles
- (4) Clip A
- (8) Clip B
- (4) Clip C
- 16 total clips, which are appropriate for a 3 x 2 tile configuration

Installation

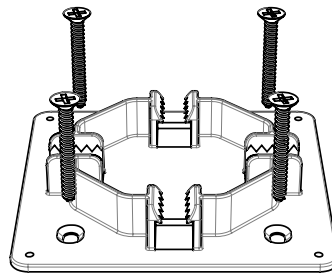
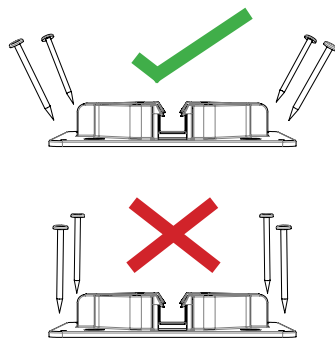
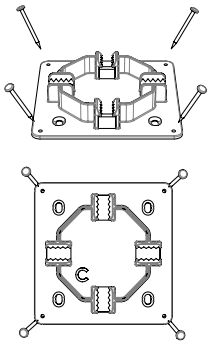
1. Mark out the desired clip pattern. The pattern shown is based on a 35.5 in. x 19.6 in. grid. *Please note, this pattern can also be rotated 90 degrees for a landscape layout.*



Ascent Tiles Installation Guide

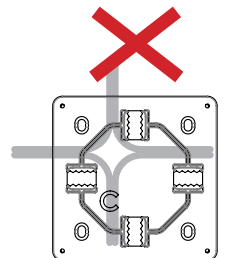
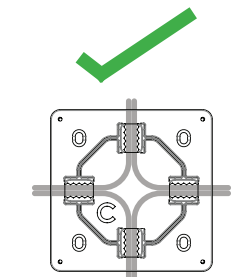
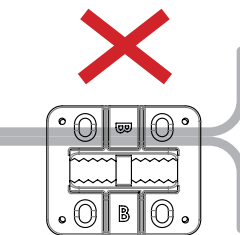
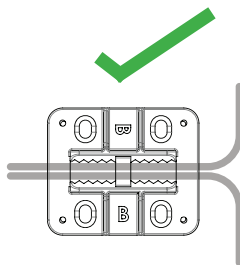
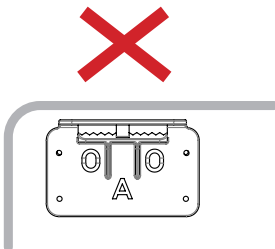
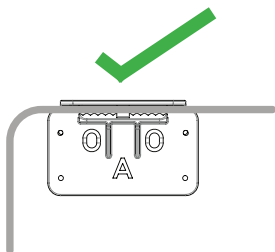
Installation Cont.

2. Choose either nails or screws to suit wall construction. You may want to use double sided tape to temporarily hold the clips while installing them. If using nails, it is critical that they are inserted at an angle.



Screws may require additional fixing accessories like wall plugs for masonry.

3. When all the clips are fixed you will have a grid of clips ready to install the tiles.
4. Align tiles in clips before pushing them into position. *Please note, Tiles are difficult to remove once installed.*



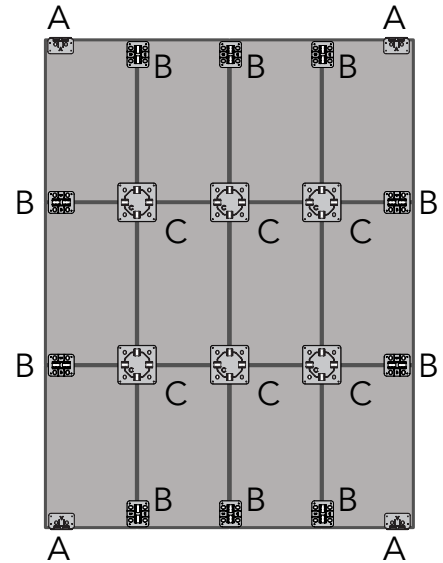


Ascent Tiles Installation Guide

Installation Cont.

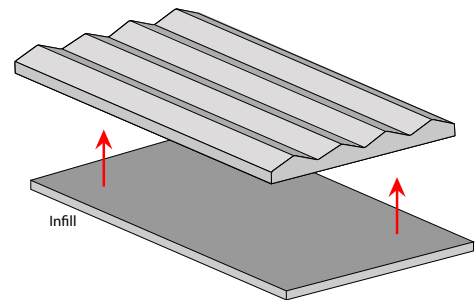
- The clips supplied are appropriate for the installation of 6 tiles arranged in a 3 x 2 grid. The arrangement as shown, can be achieved with 2 boxes of 12 tiles. Other layouts will require extra clips. Additional clips are available in packs of 10 of A, B, C, or 16 mixed clips.

All tiles need a clip at each corner. Use Edge Clip (A) for any perimeter corner (as shown). Use 2 Tile Clip (B) where tiles meet (as shown). Use 4 Tile Clip (C) where 4 tiles intersect (as shown).



Important Notes for Infill

The infill is an optional add-on. This material is made from 100% PET (at least 60% recycled) and measures 35"x19"x1". To install, place the infill inside the Ascent tile before clipping the tile to the wall.



Work Safety

In the interest of work safety, it is recommended that people working with Ascent Tiles wear the appropriate safety equipment. Although the product emits zero off-gases, masks and gloves should be worn to ensure the maximum possible safety precautions. For an SDS form, please contact Kirei at info@kireiusa.com or 619-236-9924.

Final Note

Kirei will not be responsible for any cutting or mounting not performed by Kirei staff.

For any other questions or concerns, please contact Kirei.