



kirei

ECHOPANEL® WRAP

Acoustic Space Dividers

EchoPanel Wrap offers sleek modular design, privacy control, and sound absorption. EchoPanel Wrap is a reconfigurable partition system with a “kit of parts” that can be assembled using our standard joiners to quickly create flexible collaborative workspaces, room dividers, and single desk private spaces. Wrap Panels pack flat for easy storage and break down and set up in minutes.

Product shown: EchoPanel Wrap in Color 442 (Grey) with Charcoal Hardware

Specs

Style	Standard (LxH)	Thickness	Weight	SF/Unit
A: Wing Tall End Panel	18.7 in. x 65 in.	0.94 in.	3.3 lbs	8.44
B: Wing Short End Panel	18.3 in. x 55.1 in.	0.94 in.	2.2 lbs	7
C: Flat Tall Panel	30.7 in. x 65 in.	0.94 in.	9.9 lbs	13.86
C2: Flat Tall End Panel	30.7 in. x 65 in.	0.94 in.	9.9 lbs	13.86
D: Flat Short Panel	30.7 in. x 55.1 in.	0.94 in.	5.5 lbs	11.75
D2: Flat Short End Panel	30.7 in. x 55.1 in.	0.94 in.	5.5 lbs	11.75
E: Step Up Panel	30.7 in. x 65 in.	0.94 in.	8.8 lbs	13.86

Due to the nature of the material, cutting and fabrication process, minor dimensional variances may occur. All specs refer to singular products and not multiples unless specified. See reverse page for Wrap Partition diagram.

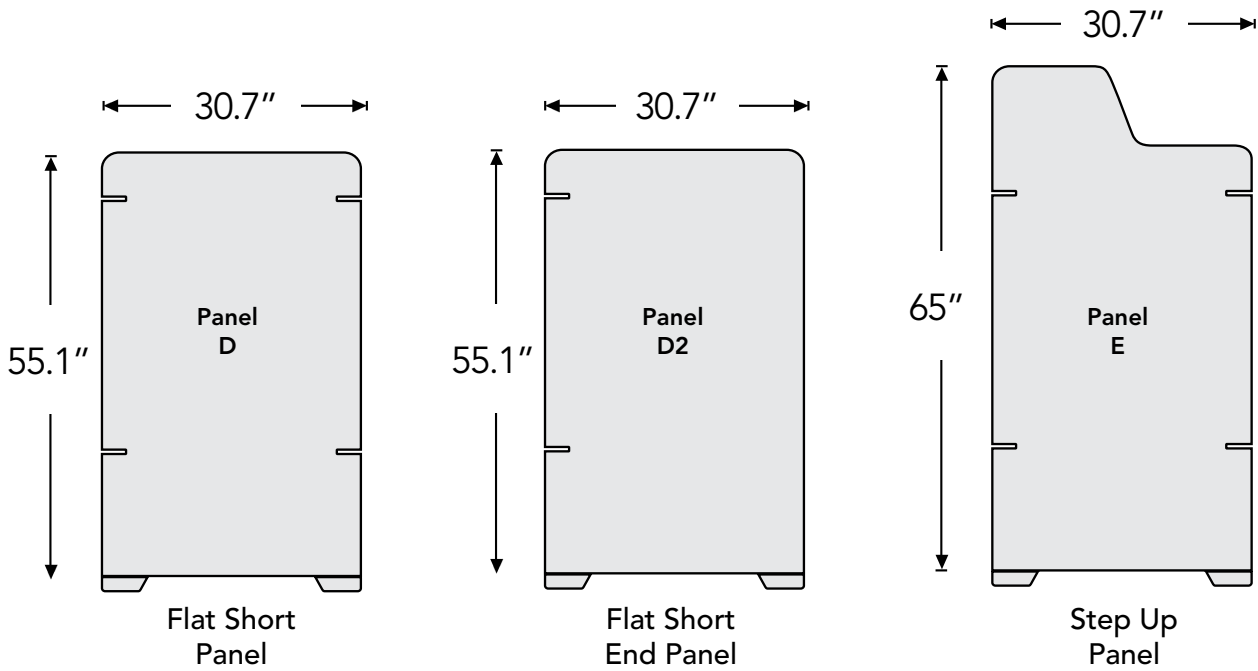
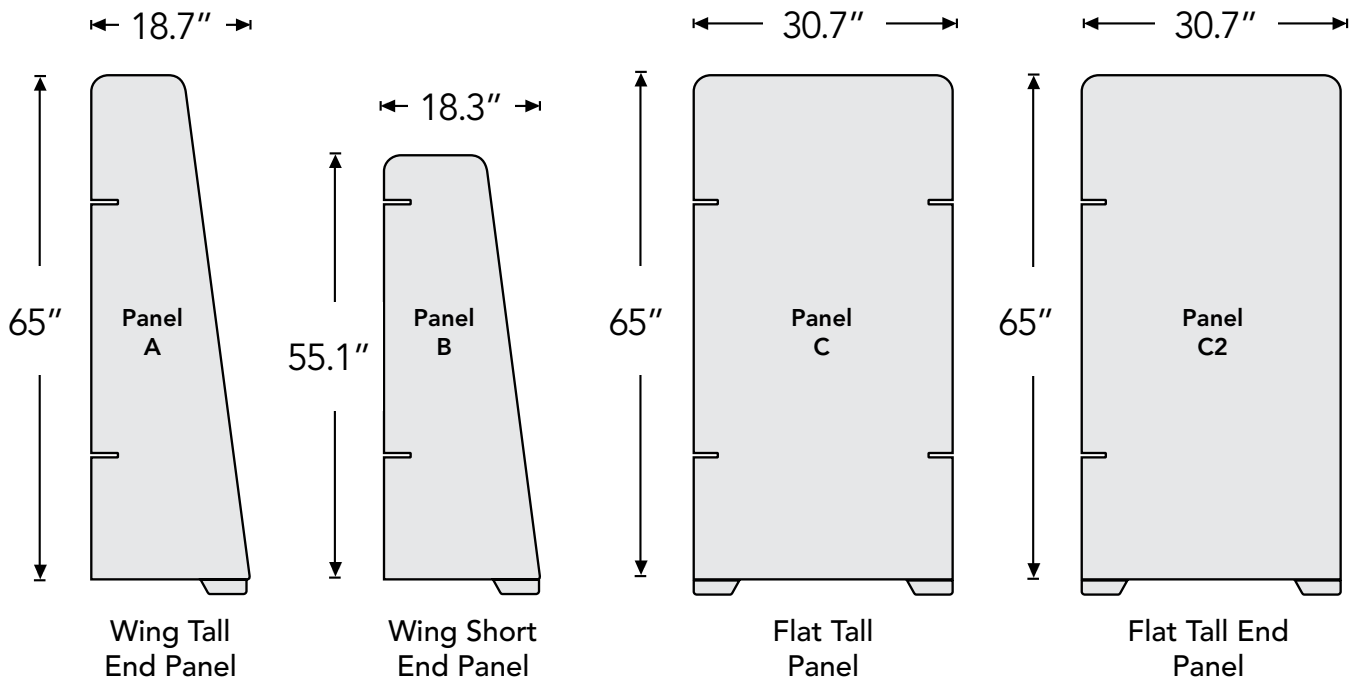
Specs

Designer	Woven Image
Panel Thickness	24mm EchoPanel®
Material	EchoPanel®, a registered trademark of Woven Image®, is PET felt made with at least 60% post-consumer content.
NRC	Contact Kirei for this test data.
Fire Rating	ASTM E84 Class A
Custom Options	Available upon request
Lead Time	*4-6 week lead time (Air freight) *10-14 week lead time (Ocean)
VOC Emissions	CDPH (CA 01350) Compliant TVOC: <0.5 mg/m ³ Ecospecifier GreenTag Compliant TVOC: 0.015 mg/m ² /hr (ASTM D5116)

*Actual lead times are determined when the project goes into production and can change based on production schedule and all quantities, color and thicknesses being in stock at time of order. See [Kirei's Product Lead Time Disclosure](#) for more information.



Product Dimensions



Recommended Configurations



Configuration A



Configuration B



Configuration C



Available Panel Colors



101 Frost



124 Ochre



167 Cinnamon



269 Wine



274 Orchid



325 Viridian



330 Ivy



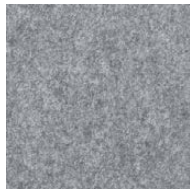
365 Navy



384 Olive



402 Pebble



442 Grey



447 Slate



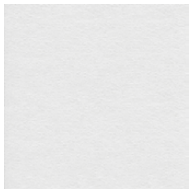
454 Mushroom



468 Vanilla



487 Blush



500 White



542 Black



550 Onyx



580 Sage



633 Pacific



908 Cream

Hardware & Installation

Panels are assembled using 10 modular joiners. Pivot joiners fold 360° for pack-flat storage of complete systems.



Straight Connector



X Connector



120-Degree Connector



90-Degree Connector



T Connector



Y Connector



Pivot Joiner



Wrap Foot

Available Hardware Colors



Cream



Charcoal



Product shown: EchoPanel Wrap in Color 454 (Mushroom) with Cream Hardware

kirei

Learn more and request your free sample:

619.236.9924 | sales@kireiusa.com

kireiusa.com

All images in this spec sheet are supplied by Woven Image®.