



# kirei

## ECHORIDGE

### Acoustic Forms

Add acoustic control with the peaks and valleys of EchoRidge! Navigate acoustic obstacles with EchoRidge, the unique dual-layer wall and ceiling tile that helps capture and absorb unwanted sound. EchoRidge comes in two styles - Mini and Micro - in both 2x2 and 2x4 tile sizes. Also available as a 2x2 or 2x4 ACT tile, EchoRidge is a dynamic design element for any environment.

Product shown: EchoRidge Micro ACT 2x2 and 2x4 in Color 551 (Duck Egg)

# Specs EchoRidge

Style	Standard (LxW)	Depth	Weight/Unit	SF/Unit
Mini 2x2	23 in. x 23 in.	4.25 in.	5 lbs	3.7
Mini 2x4	23 in. x 46 in.	4.25 in.	10 lbs	7.35
Micro 2x2	23 in. x 23 in.	3.13 in.	5 lbs	3.7
Micro 2x4	23 in. x 46 in.	3.13 in.	10 lbs	7.35

All specs refer to singular products and not multiples unless specified. Due to the nature of the material, cutting and fabrication process, minor dimensional variances may occur. Custom options available upon request. EchoRidge is sold as an individual unit with 3-4 peaks, depending on the style, and comes with a backer. It is folded and assembled prior to shipping for simple installation.

# Specs EchoRidge ACT

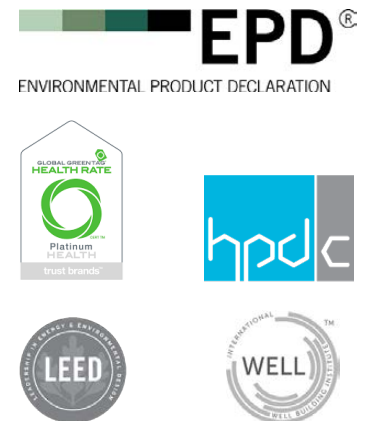
Style	Standard (LxW)	Depth	Weight/Unit	SF/Unit
Mini ACT 2x2	23.6 in. x 23.6 in.	4.25 in.	5 lbs	4
Mini ACT 2x4	23.6 in. x 47.2 in.	4.25 in.	10 lbs	8
Micro ACT 2x2	23.6 in. x 23.6 in.	3.13 in.	5 lbs	4
Micro ACT 2x4	23.6 in. x 47.2 in.	3.13 in.	10 lbs	8

All specs refer to singular products and not multiples unless specified. Due to the nature of the material, cutting and fabrication process, minor dimensional variances may occur. Custom options available upon request. EchoRidge ACT is sold as an individual unit with 3-4 peaks, depending on the style, and comes with a backer. It is folded and assembled prior to shipping for simple drop-in installation.

# Specs EchoRidge & EchoRidge ACT

Designer	Kirei
Panel Thickness	12mm EchoPanel®
Material	EchoPanel®, a registered trademark of Woven Image®, is PET felt made with at least 60% post-consumer content.
Fire Rating	ASTM E84 Class A
Custom Options	Available upon request
Lead Time	*4-6 weeks (1-50 tiles) <i>For larger quantities, lead times determined per order</i>
VOC Emissions	CDPH (CA 01350) Compliant TVOC: <0.5 mg/m3 Ecospecifier GreenTag Compliant TVOC: 0.015 mg/m2/hr (ASTM D5116)

\*Actual lead times are determined when the project goes into production and can change based on production schedule and all quantities, color and thicknesses being in stock at time of order. See [Kirei's Product Lead Time Disclosure](#) for more information.

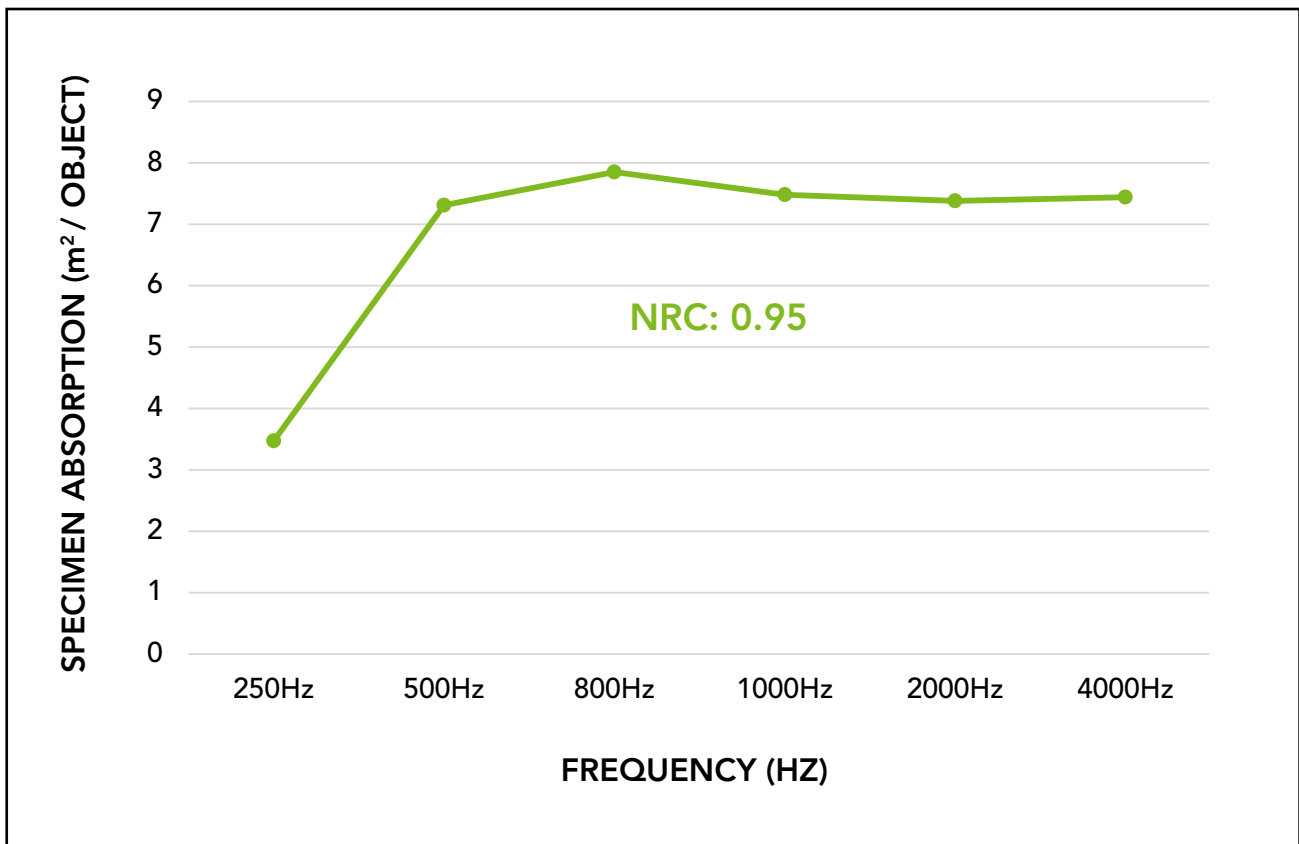


# Acoustic Data EchoRidge & EchoRidge ACT

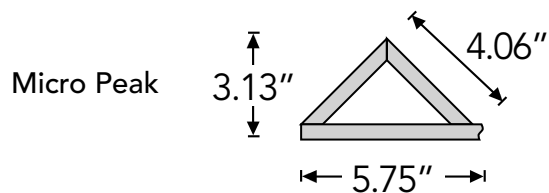
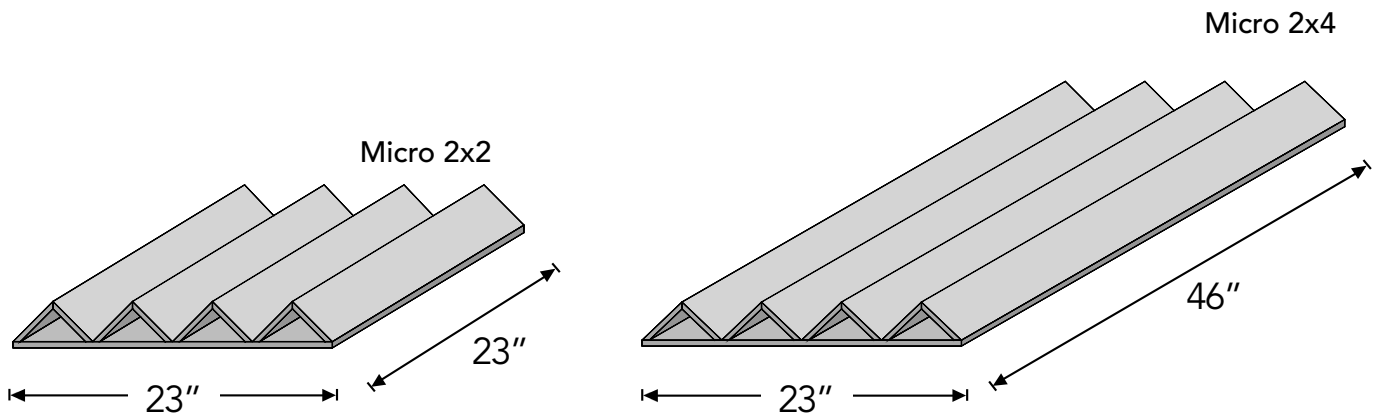
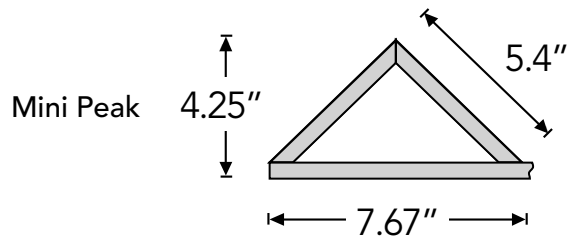
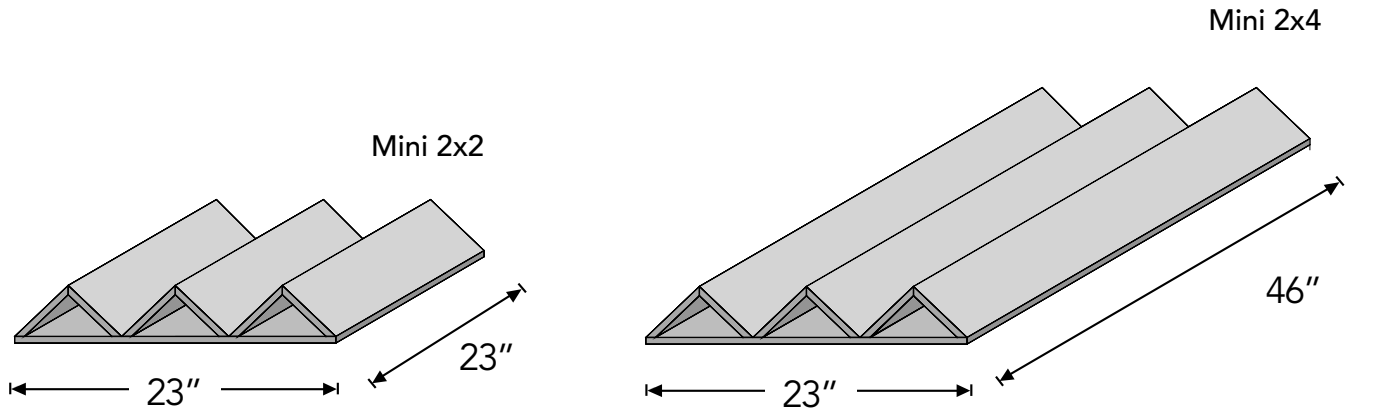
## Sound Absorption

Frequency	250Hz	500Hz	800Hz	1000Hz	2000Hz	4000Hz	NRC
m <sup>2</sup> /Object	3.47	7.31	7.85	7.48	7.38	7.44	0.95

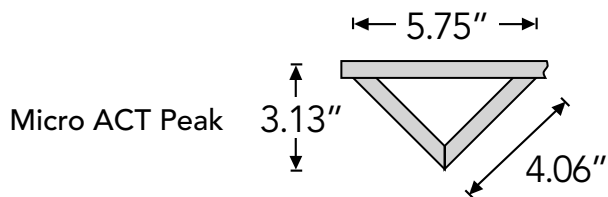
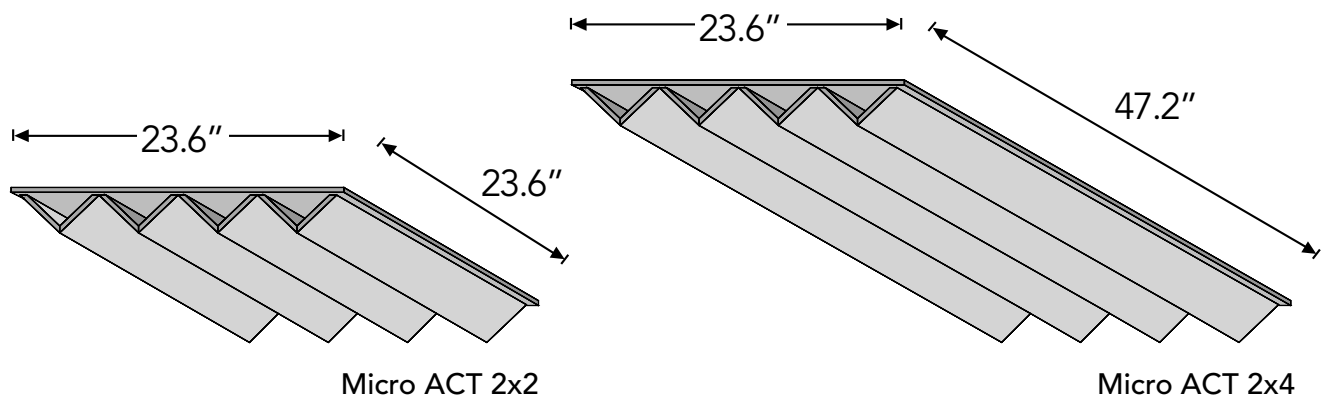
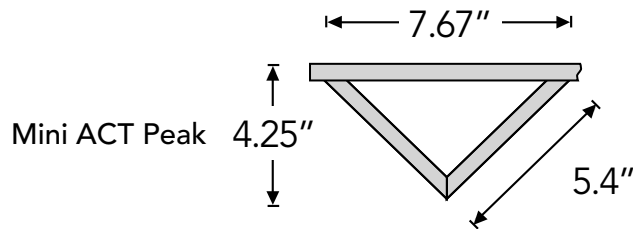
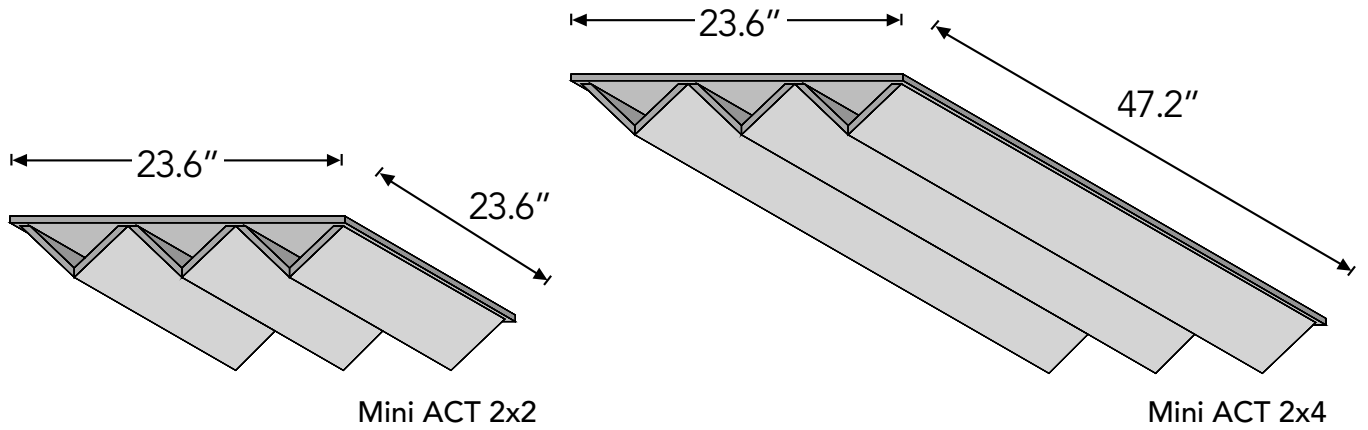
Acoustic data is measured in Sabins per EchoRidge Mini.



# Product Dimensions EchoRidge



# Product Dimensions EchoRidge ACT



# Available Colors



101 Frost



108 Sunshine



124 Ochre



167 Cinnamon



193 Rouge



269 Wine



274 Orchid



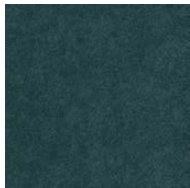
276 Lavender



295 Mandarin



325 Viridian



330 Ivy



338 Jade



349 Vineyard



365 Navy



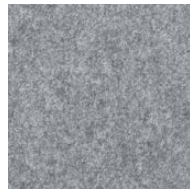
381 Lime Splice



384 Olive



402 Pebble



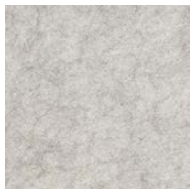
442 Grey



444 Smoke



447 Slate



454 Mushroom



468 Vanilla



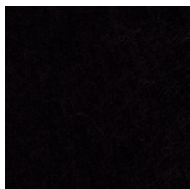
487 Blush



500 White



542 Black



550 Onyx



551 Duck Egg



576 Magenta



579 Pistachio



580 Sage



633 Pacific



660 Coronet



908 Cream

# Installation EchoRidge

When mounting, use standard construction adhesives (e.g. Liquid Nails/Titebond - NOT PVA glue). Clean and prepare surface per adhesive guidelines. Spread adhesive evenly on panel back, leaving 2" space at edges. Adhere to wall surface, providing bracing to hold material against surface per adhesive open time/instructions. For more information, see the [EchoRidge Installation Guide](#).

# Installation EchoRidge ACT

EchoRidge ACT tiles easily fit into a standard 15/16" ACT ceiling grid. Simply remove any existing ACT tile and install EchoRidge ACT in its place. If you have a different ceiling grid, contact us for customization to match your needs. For more information, see the [EchoRidge ACT Installation Guide](#).

# Custom Printing with Kirei Ink

EchoRidge and EchoRidge ACT can be custom printed in house with Kirei Ink. We would love to work with you to print your own custom color, pattern, graphic or material. Reach out and our team will be ready to assist!

Please note: Kirei requires written permission from the copyright holder in order to reproduce any copyrighted work. Professional photographs cannot be reproduced without written permission from the photographer.





Product shown: EchoRidge Micro 2x4 in Color 274 (Orchid)



Product shown: EchoRidge Mini ACT 2x2 and 2x4 in Color 444 (Smoke)



Product shown: EchoRidge Mini 2x2 in Color 442 (Grey)

# kirei

Learn more and request your free sample:

619.236.9924 | [sales@kireiusa.com](mailto:sales@kireiusa.com)

[kireiusa.com](http://kireiusa.com)