



kirei

BALANCE TILES

Acoustic Tiles

Balance Tiles are an easy, elegant acoustic fix for nearly any space. These thick bevel-edged tiles add distinct patterning and color, while absorbing sound. Mix and match the different tile sizes and colors to create eye-catching designs.

Product shown: Balance Tiles in Color 487 (Blush)

Specs

Style	Standard (LxH)	Thickness	Weight/Box	Qty/Box	SF/Box
325 Tile	12.8 in. x 12.8 in.	0.94 in.	9.6 lbs	16	18.2
650 Tile	25.6 in. x 12.8 in.	0.94 in.	9.6 lbs	8	18.2
1300 Tile	51.2 in. x 12.8 in.	0.94 in.	8 lbs	4	18.2

All specs refer to singular products and not multiples unless specified. Due to the nature of the material, cutting and fabrication process, minor dimensional variances may occur. Custom options available upon request.

Designer	Kirei
Panel Thickness	24mm EchoPanel®
Material	EchoPanel®, a registered trademark of Woven Image®, is PET felt made with at least 60% post-consumer content.
Fire Rating	ASTM E84 Class A
Custom Options	Available upon request
Lead Time	*In stock for immediate shipment
VOC Emissions	CDPH (CA 01350) Compliant TVOC: <0.5 mg/m3 Ecospecifier GreenTag Compliant TVOC: 0.015 mg/m2/hr (ASTM D5116)

*Actual lead times are determined when the project goes into production and can change based on production schedule and all quantities, color and thicknesses being in stock at time of order. See [Kirei's Product Lead Time Disclosure](#) for more information.

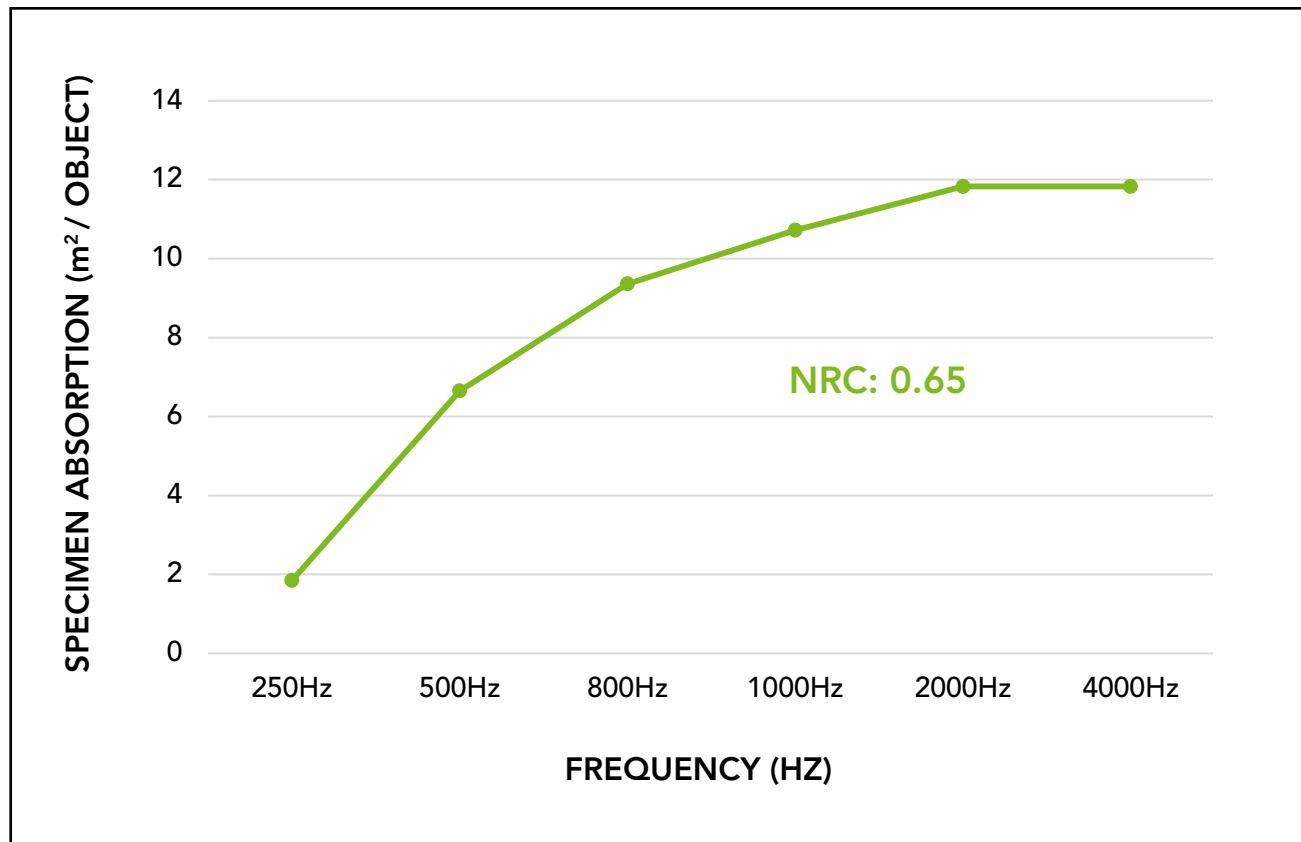


Acoustic Data

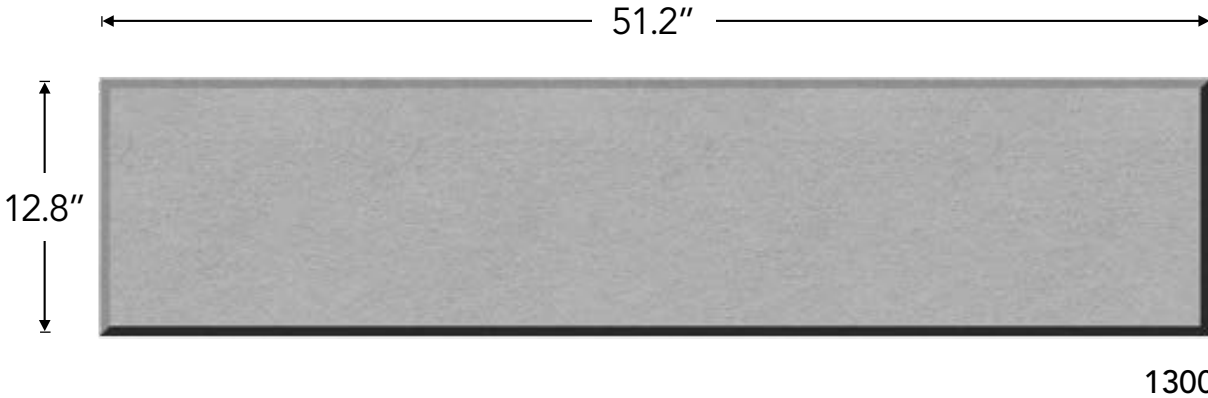
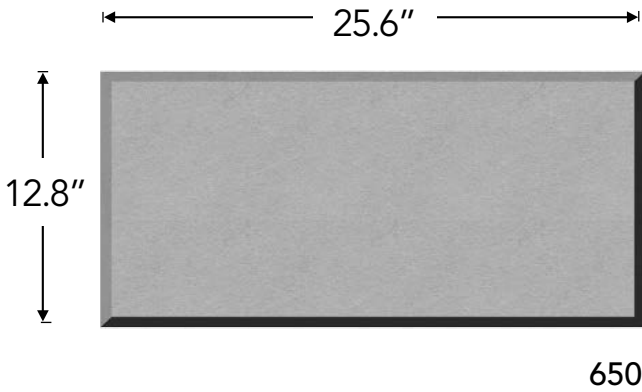
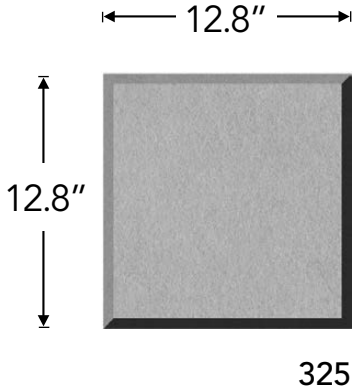
Sound Absorption

Frequency	250Hz	500Hz	800Hz	1000Hz	2000Hz	4000Hz	NRC
m ² /Object	1.85	6.65	9.36	10.72	11.83	11.83	0.65 (no air gap)
m ² /Object (20mm air gap)	2.59	8.13	11.33	12.57	12.57	12.20	0.75 (20mm air gap)
m ² /Object (50mm air gap)	4.93	10.96	13.18	13.06	11.70	11.95	0.85 (50mm air gap)
m ² /Object (2" fiberglass)	6.97	7.77	7.35	6.97	6.88	7.01	1.05 (2" fiberglass)

Acoustic data is measured in Sabins per 24mm EchoPanel.



Product Dimensions



Available Colors



101 Frost



124 Ochre



167 Cinnamon



269 Wine



274 Orchid



325 Viridian



330 Ivy



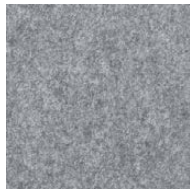
365 Navy



384 Olive



402 Pebble



442 Grey



447 Slate



454 Mushroom



468 Vanilla



487 Blush



500 White



542 Black



550 Onyx



580 Sage



633 Pacific



908 Cream

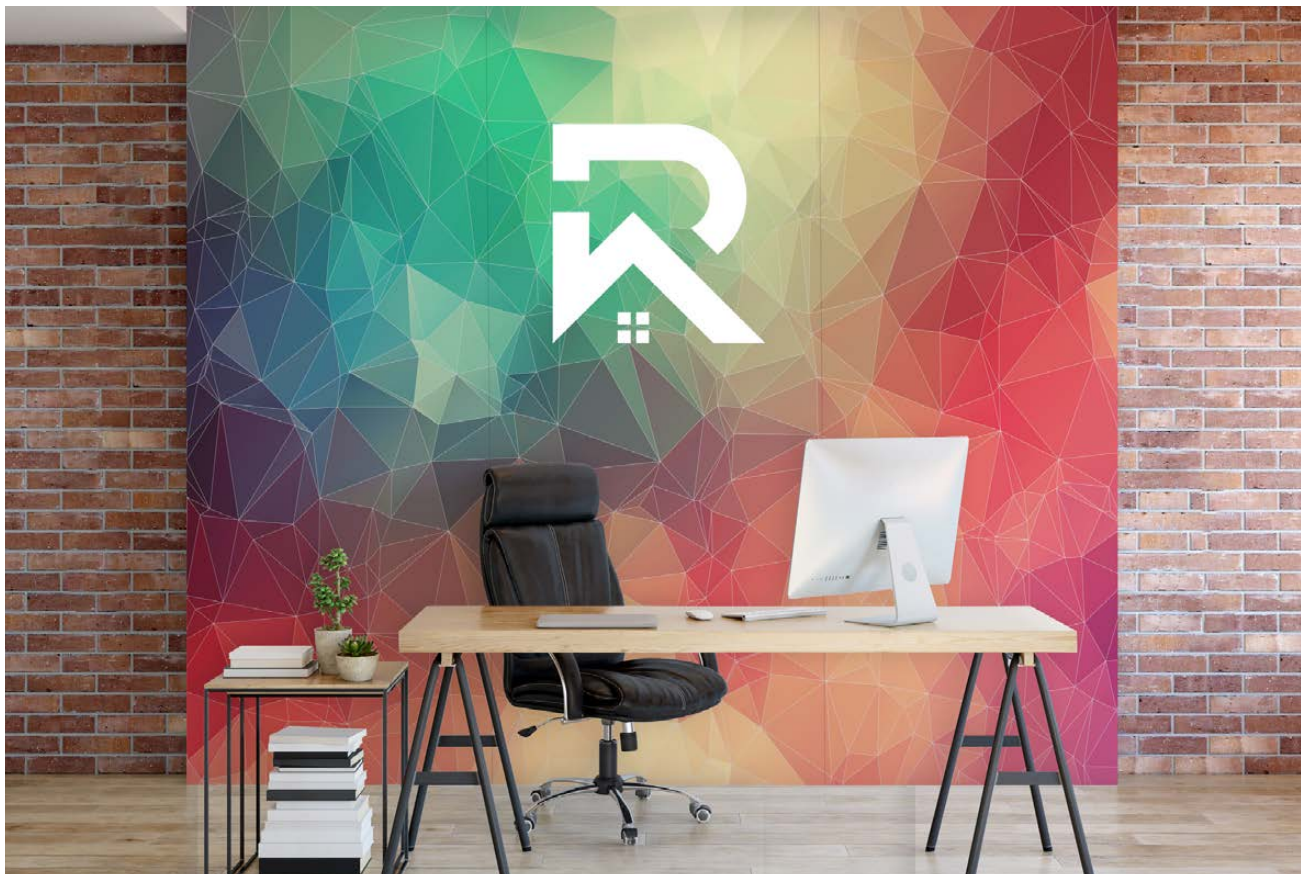
Installation

When mounting, use standard construction adhesives (e.g. Liquid Nails/Titebond - NOT PVA glue). Clean and prepare surface per adhesive guidelines. Spread adhesive evenly on panel back, leaving 2" space at edges. Adhere to wall surface, providing bracing to hold material against surface per adhesive open time/instructions. For more information, see the [Balance Tiles Installation Guide](#).

Custom Printing with Kirei Ink

Balance Tiles can be custom printed in house with Kirei Ink. We would love to work with you to print your own custom color, pattern, graphic or material. Reach out and our team will be ready to assist!

Please note: Kirei requires written permission from the copyright holder in order to reproduce any copyrighted work. Professional photographs cannot be reproduced without written permission from the photographer.



Product shown: Kirei Ink Custom Printing



Product shown: Balance Tiles 325, 650, & 1300 in Colors 325 (Viridian), 365 (Navy), 908 (Cream)



Balance Tiles 1300 in Color 269 (Wine)

kirei

Learn more and request your free sample:

619.236.9924 | sales@kireiusa.com

kireiusa.com

All images in this spec sheet are supplied by Woven Image®.