

# EchoPanel Simple Baffles Installation Guide

*Note: Please read the entire Installation Guide before application.*

The installation guide is intended to provide installers with helpful information regarding EchoPanel® Simple Baffles prior to installing the material. Kirei accepts no responsibility for installation actions taken or not taken. This installation guide is not intended to be an in-depth guide; installers' knowledge as experienced tradesman needs to be applied.

This installation guide serves only as a recommendation for installing and handling EchoPanel Simple Baffles. If you have questions about application or techniques, contact Kirei at [www.kireiusa.com](http://www.kireiusa.com) or 619.236.9924.

## **SIMPLE BAFFLE SPECIFICATIONS**

### **What are Simple Baffles?**

Simple Baffles are ceiling installations made with EchoPanel, a decorative acoustically absorbent material with a felt-like finish. It is made from 100% PET thermally stable plastic which, depending on the color, contains up to 60% post-consumer content. EchoPanel is also recyclable in the PET waste stream. Please consult the Simple Baffle Spec Sheet for material specifications.

### **Fire Rating**

EchoPanel Simple Baffles are rated ASTM E84 Class C. Simple Baffles can be treated to satisfy Class A requirements as needed. Check the Fire Rating requirements for your Project, Building or Municipality in advance. ASTM E84 test results can be obtained by contacting Kirei.

### **Low VOC Material**

EchoPanel is considered a low-VOC emitting material making it a healthy building option for interior finishes. EchoPanel is CDPH (CA 01350) Compliant TVOC: <0.5 mg/m<sup>3</sup>, and Ecospecifier GreenTag Compliant; TVOC: 0.015 MG/M<sup>2</sup>/HR (ASTM D5516).

### **Handling and Storage**

Keep it clean! EchoPanel is an absorbent material and traps dirt, grime and debris just as well as it does sound. White glove handling is recommended for prep, processing and installation. Kirei is not responsible for mishandling on the job site.

Keep it flat! If cutting, drilling or mounting hardware on site, make sure that Simple Baffles are evenly supported on a flat, clean surface. Improperly handled material can crease.

Storage areas should be clean, dry, cool, and well ventilated.

# EchoPanel Simple Baffles Installation Guide

## Handling and Storage (Cont.)

All Simple Baffle products are inspected prior to shipment. Kirei is not responsible for damage in shipment or in storage; customers should carefully inspect all items at time of delivery and note any obvious damage on the delivery receipt. For the customer's protection subsequently discovered concealed damage must be reported immediately to the carrier. Claims to Kirei will not be considered if the sheet has been worked by the customer or others. No claims for labor charges will be allowed in any circumstances.

To handle and store Simple Baffles properly, follow these guidelines:

- Carefully inspect all material at time of delivery and note any obvious damage on the delivery receipt.
- Keep Simple Baffles as clean as possible during storage. Simple Baffles should be kept free from grease, wax, dust, and chips that could leave impression.
- Store Simple Baffles indoors, in a dry, cool, well-ventilated area.
- Avoid exposure to heat 150°F (65°C) or greater.
- Keep table tops clean to avoid scratching.
- Inspect for defects, then recover for protection during fabrication.
- Wear clean white gloves when handling Simple Baffles.
- Do NOT store Simple Baffles near radiators, steam pipes, or in direct sunlight.

## Cleaning and Care

Remove dust and dirt by dusting, vacuuming, or with a soft cloth or sponge and a solution of carpet or upholstery shampoo. Always use a soft, damp cloth and blot dry. Spot cleaner such as ZEP Commercial Instant Spot Remover has been used with success for some light soil situations. No guarantee is given for cleaning results with this product.

## Hardware Included

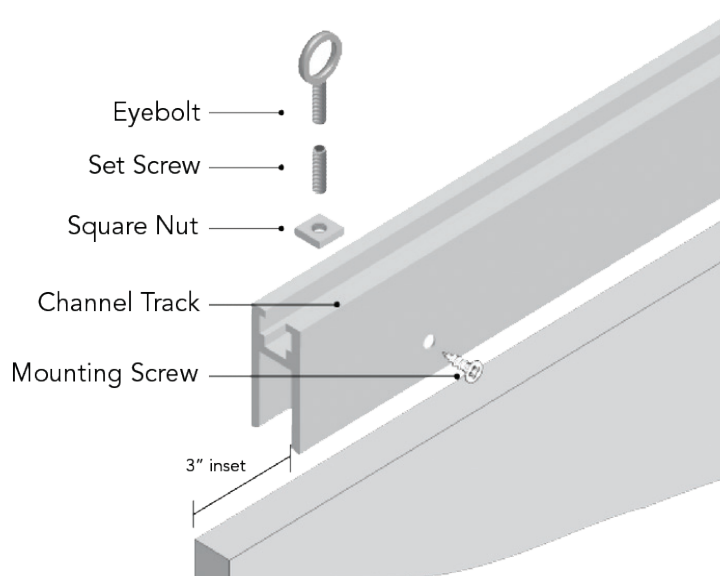
- (1) Aluminum Channel Track
- (2) Fastener Sets
- (2) 1/4"-20 Square Nuts
- (2) 1/4"-20 Eyebolts (for hanging with looped cable or chain)
- (2) 1/4"-20 x 3/4" Set Screws (compatible with most aircraft cable suspension hardware.)
- (2) #8 x 1/2" Mounting Screws

# EchoPanel Simple Baffles Installation Guide

## Installation

Due to the great variance in overhead environments, our guidelines are meant to provide suggested placement only. Exact placement and suspension methods are subject to design specification, regional code, site-specific requirements, and installer judgment.

*Note: Installers are responsible for supplying the 3/64" - 1/16" aircraft cable and the code compliant ceiling mounting hardware.*

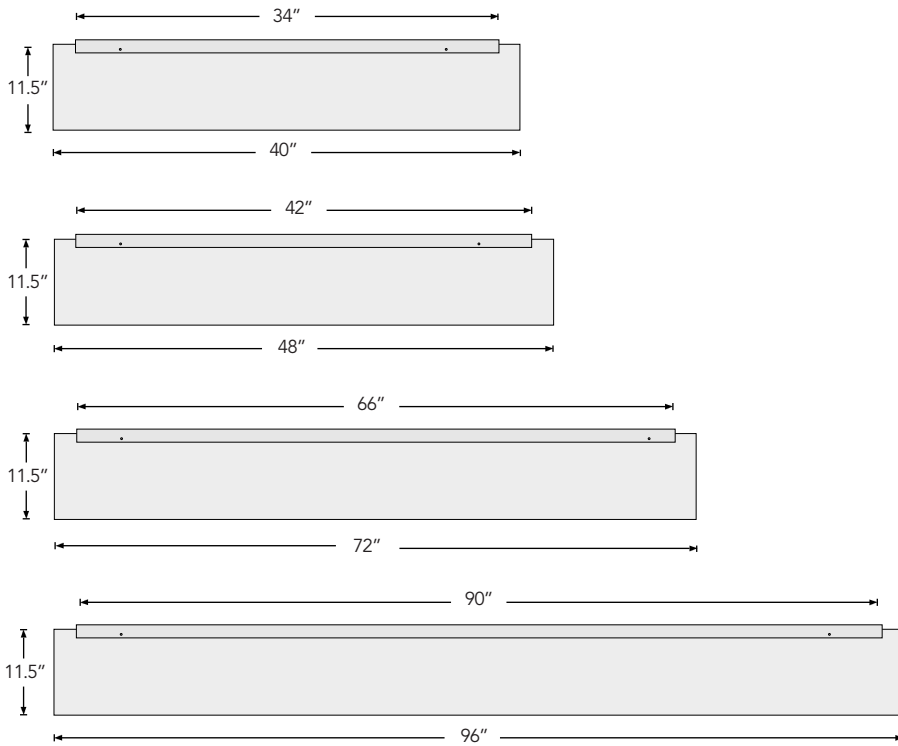


1. Ensure assembly surface is clean and flat.
2. Insert square nuts into track, select either the set screw or the eyebolt depending on specified cable attachment. Set Screw requires 4mm hex tool and turned until fully tightened. Eyebolts may be over-tightened to align square with Channel Track.
3. Mount the Channel Track on center to the top of the Baffle using #8 x 1/2" Mounting Screws.
4. Install track to specified ceiling hardware.
5. Check level after installation.

*Note: Kirei does not provide ceiling mounting hardware or cable/chain/rod.*

# EchoPanel Simple Baffles Installation Guide

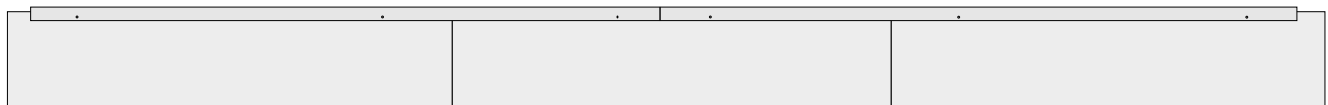
## Standard Baffle Lengths



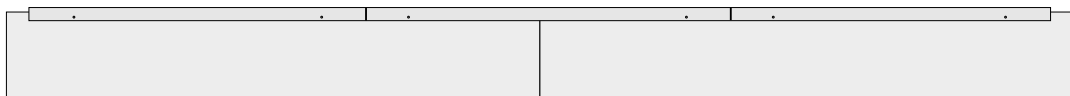
## Custom Baffle Length Examples



Single Channel Track across two Baffles



Double Channel Track across three Baffles



Triple Channel Track across two Baffles

# EchoPanel Simple Baffles Installation Guide

## Simple Baffle Installation Tips

- The square nut can be slid to different positions to avoid HVAC and ceiling obstructions.
- Every bracket (no matter the length or how many brackets per baffle) must have at least 2 connection points to the ceiling.
- When positioning hanging hardware ensure that baffles are leveled with a leveler and adequately supported across their length.
- If you are abutting Baffles, Kirei can provide custom brackets up to 12'.
- If Baffle runs are longer than 12', Kirei's design team can help engineer a custom solution for your project.
- Additional holes can be drilled along the length of the Baffle to account for sagging in multi-baffle projects.
- Longest individual baffle length is 108", but longer rows can be achieved with abutted baffles.

## Work Safety

In the interest of work safety, it is recommended that people working with Kirei Simple Baffles wear the appropriate safety equipment. Although the product emits zero off-gases, masks and gloves should be worn to ensure the maximum possible safety precautions. For an SDS form, please contact Kirei at [info@kireiusa.com](mailto:info@kireiusa.com) or 619-236-9924.

## Final Note

Kirei will not be responsible for any cutting or mounting not performed by Kirei staff.

**For any other questions or concerns, please contact Kirei.**