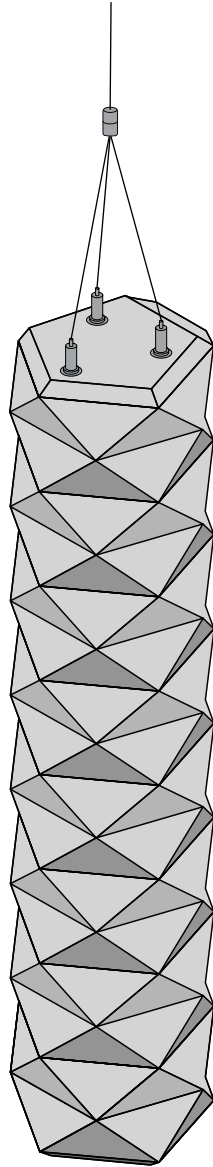


TESSELLATE PENDANT

INSTALLATION GUIDE



kirei

IMPORTANT INFORMATION

Installation

Please read the entire Installation Guide prior to application. This installation guide is intended to provide installers with helpful information regarding Tessellate Pendants prior to installation. Kirei accepts no responsibility for installation actions taken or not taken. This installation guide is not intended to be an in-depth guide; installer's knowledge as an experienced tradesman needs to be applied.

If you have questions about application or techniques, contact Kirei. Kirei will not be responsible for any cutting or mounting not performed by Kirei staff.

Terms of Trade

All Tessellate Pendant products are inspected prior to shipment. Kirei is not responsible for damage in shipment or in storage; customers should carefully inspect all items at time of delivery and note any obvious damage on the delivery receipt. For the customer's protection subsequently discovered concealed damage must be reported immediately to the carrier. Claims to Kirei will not be considered if the sheet has been worked on by the customer or others. No claims for labor charges will be allowed in any circumstances.

Work Safety

In the interest of work safety, it is recommended that people working with Tessellate Pendants wear the appropriate safety equipment. Although the product emits zero off-gases, masks and gloves should be worn to ensure the maximum possible safety precautions. For an SDS form, please contact Kirei.

Product Notes

Tessellate Pendant's acoustic performance will alter based on a variety of factors including spacing between Pendants. Tessellate Pendants have a grain that can reflect light differently, looking slightly lighter or darker depending on placement.

Cleaning & Handling

Do not store Tessellate Pendants vertically, please store laying flat.
See the [Handling and Cleaning Guide](#) for more information.

Tessellate Pendant Specs

See the [Tessellate Pendant Spec Sheet](#) for product details and information.

Product & Installation Questions

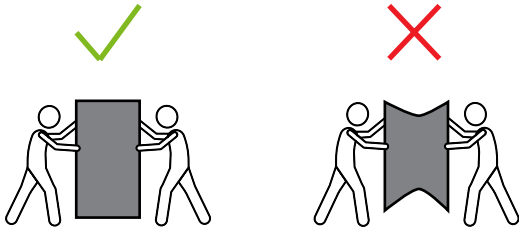
PH: 619.236.9924

Email: info@kireiusa.com

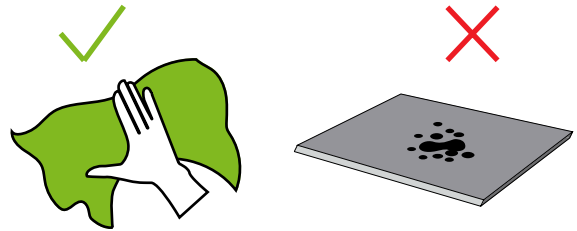
Web: kireiusa.com

HANDLING

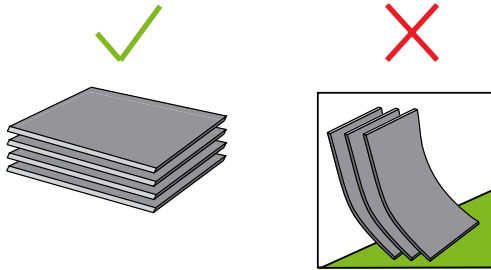
Carry boxes and products upright.



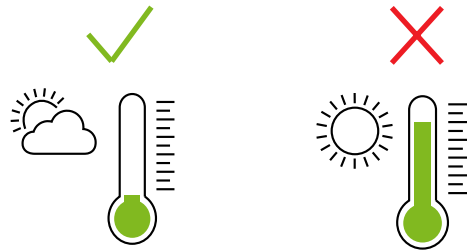
Keep all surfaces clean for storage and fabrication.



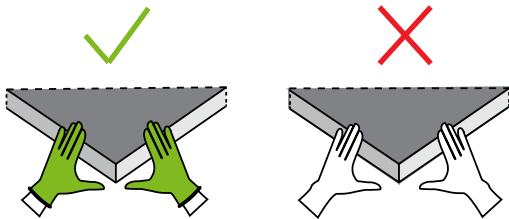
Store boxes and products flat.



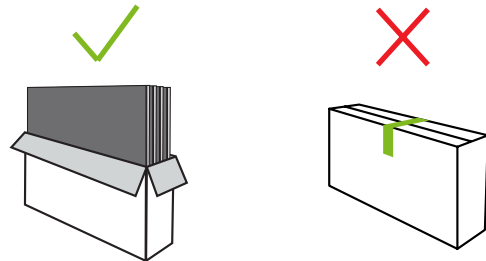
Store in a cool, dry place with no direct sun. Avoid 145 degree temperatures or greater.



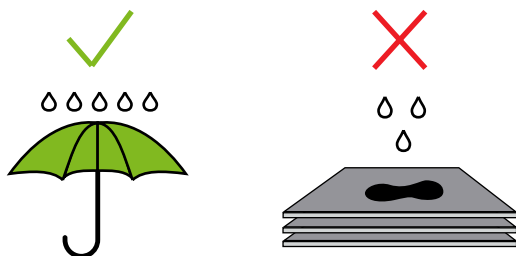
Wear gloves for handling light colors.



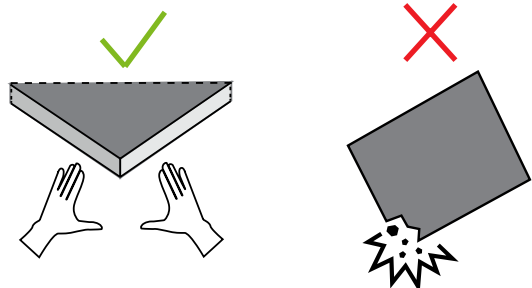
Upon delivery, inspect all goods for order corrections and damage.



Keep product dry and avoid humidity.

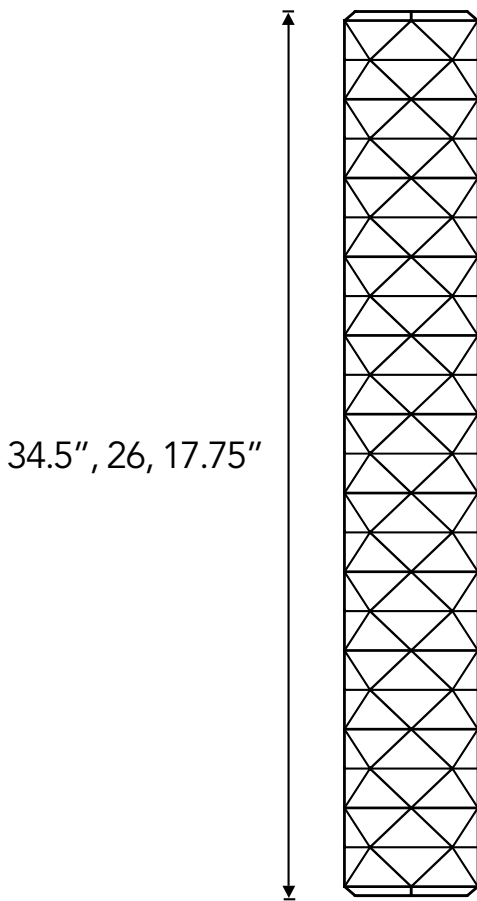


Protect the edges.

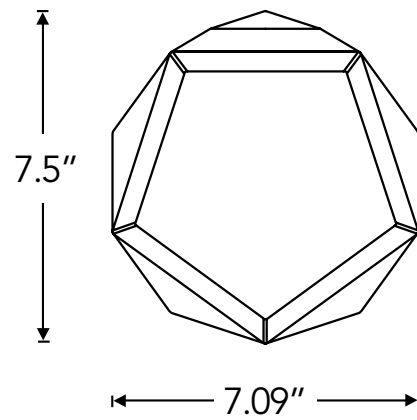


DIMENSIONS

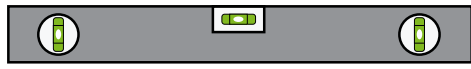
Tessellate Pendant Front View



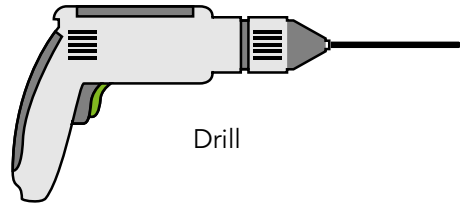
Tessellate Pendant Bottom View



TOOLS NEEDED



Level



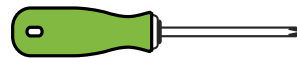
Drill



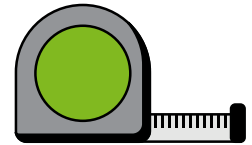
Crimper



Wire Cutter



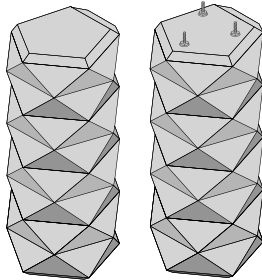
Screw Driver



Tape Measure

Not all tools are needed for installation, but depending on install choice, could be used.

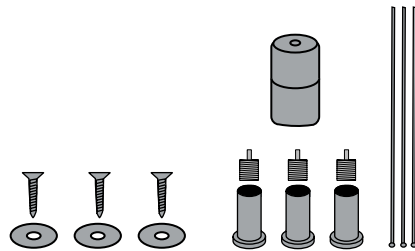
ITEMS INCLUDED



Opt 1

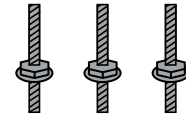
Opt 2

Tessellate Pendant



(1) cable splitter, (3) ball-end cables, (3) 2- part cable grippers, (3) screws, and (3) washers

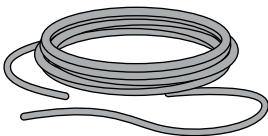
Opt 1: GripLock Cable Kit Install
(per pendant)



(3) preset 1/4"-20 male threaded screws and (3) collar nuts

Opt 2: Set Screw Install
(per pendant)

OPTIONAL (NON-INCLUDED) ITEMS



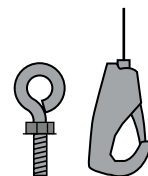
Aircraft Cable



Threaded Rod



Set screw Attachment

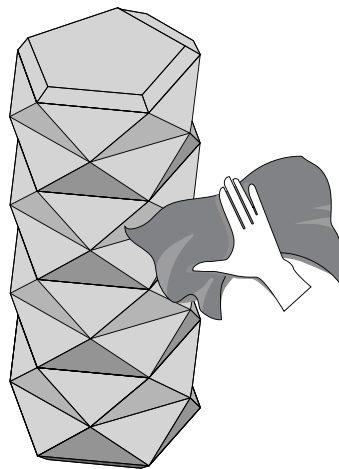


Eyebolt Attachment

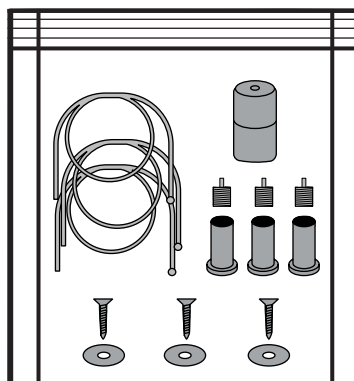
GRIPLOCK CABLE KIT INSTALLATION

The safest and easiest install is achieved by evaluating the location in advance to determine and ensure that cable path from ceiling is unobstructed. Typically two people are needed for most install applications. The Pendants are shipped ready to install, no assembly required.

- 1** Remove Pendant from the box confirm color, undamaged condition, compatibility of hanging hardware, and clean any debris off the Pendant.

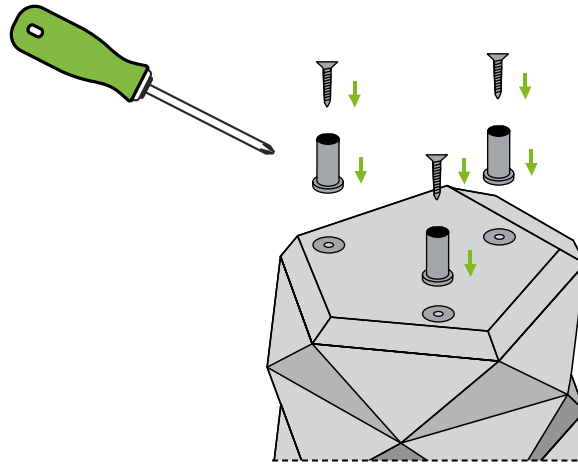


- 2** Hardware is not attached. To begin hardware assembly, locate the package with the GripLock Cable Kit.

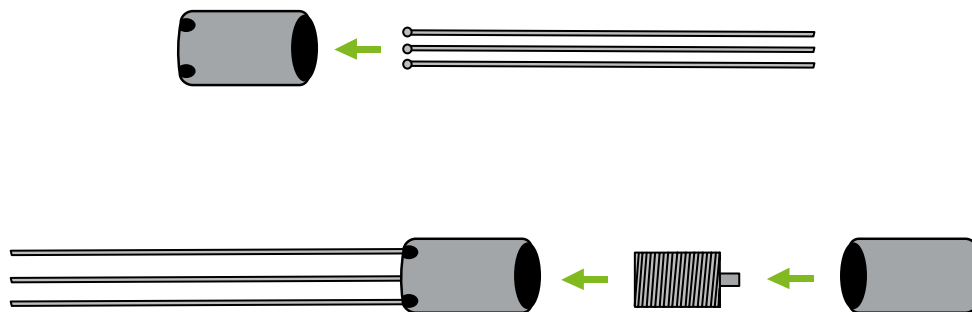


GRIPLOCK CABLE KIT INSTALLATION

- 3** Tessellate Pendants griplock cable kits are intended to be mounted symmetrically to the top of the pendant. To begin, measure three equal distant points on the top of the pendant, and using the screws and washers provided, mount the first part of the cable grippers to the pendant.



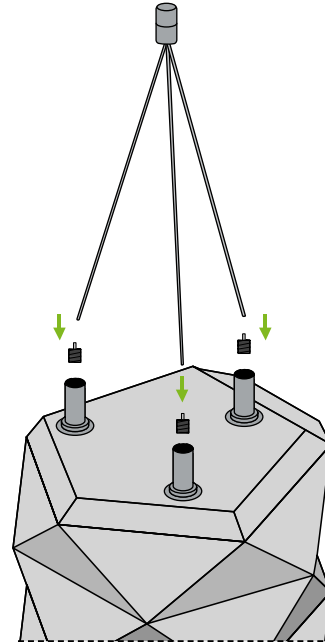
- 4** Next disassemble the 3-part cable splitter and put the ball-end cables through the splitter piece with three holes. Reassemble the splitter by attaching the splitter gripper and splitter top.



GRIPLOCK CABLE KIT INSTALLATION

5

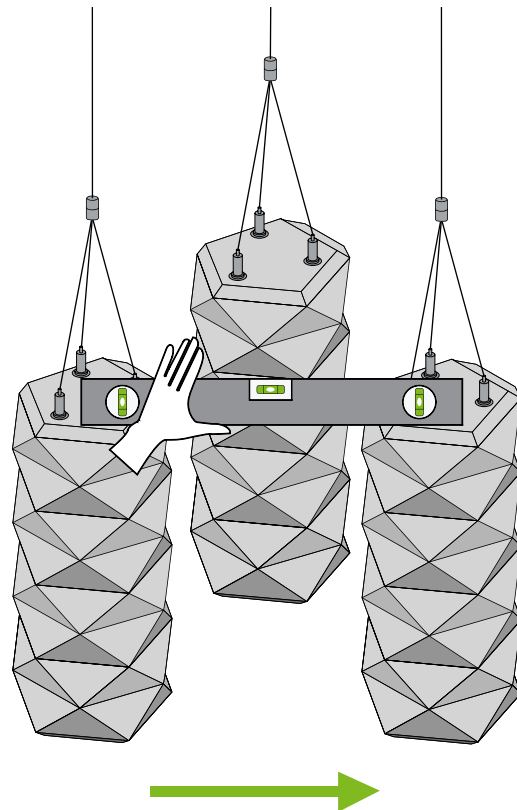
Next attach the second cable gripper part to the mounted part, and string the cable through the cable gripper hole.



6

Securely mount the appropriate hardware to the ceiling and then, using a level to ensure accurate alignment, attach pendants to the hardware with the assembled suspension cable.

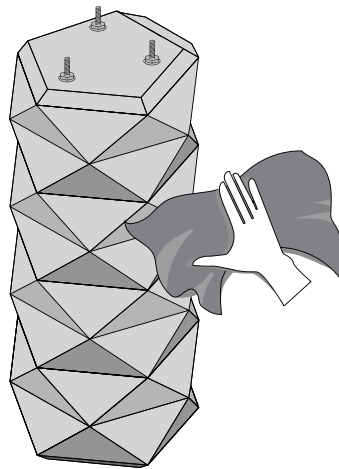
Due to the single cable hanging point, we do not recommend hanging Tessellate Pendants in a heavy airflow area as they are susceptible to slight movement once installed.



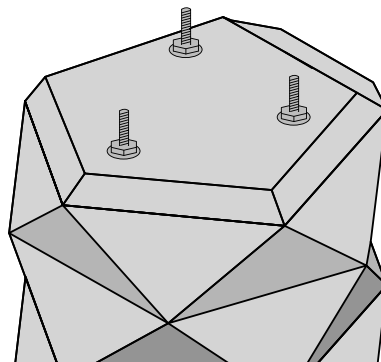
SCREW SET INSTALLATION

The safest and easiest install is achieved by evaluating the location in advance to determine and ensure that cable path from ceiling is unobstructed. Typically two people are needed for most install applications. The Pendants are shipped ready to install, no assembly required.

- 1** Remove Pendant from the box confirm color, undamaged condition, compatibility of hanging hardware, and clean any debris off the Pendant.

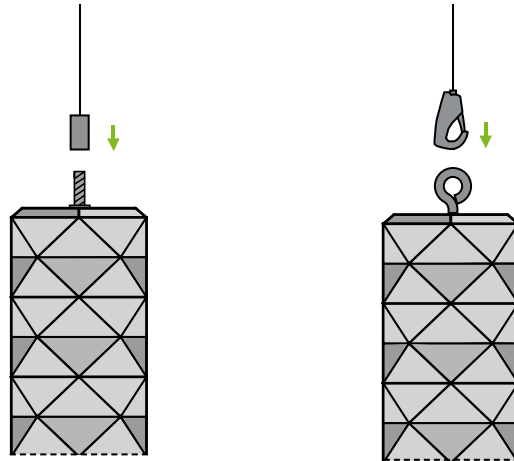


- 2** Each pendant has three attachment points and three preset 1/4"-20 male threaded screws with attached collar nuts.



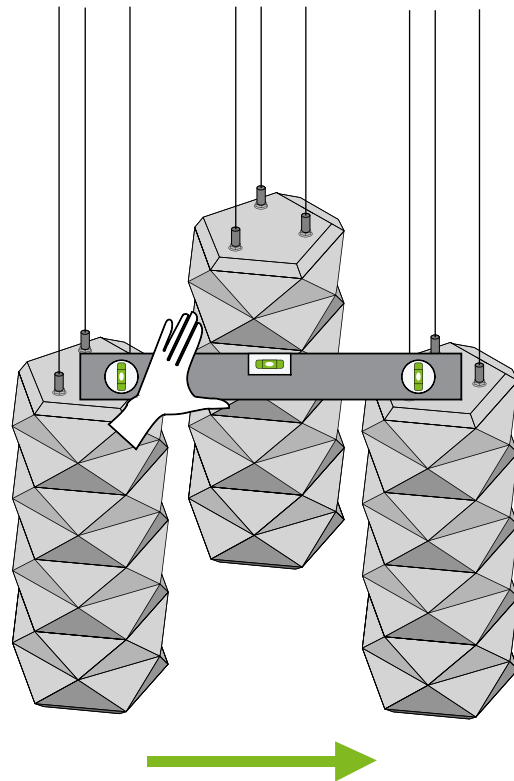
SCREW SET INSTALLATION

- 3** Add the suspension cable/chain/rod/etc to the pendant attachments, and then fasten appropriate pendant attachments to the pendant hardware. *Note: Ceiling mounting hardware, suspension items, and pendant attachments are not included.*



- 4** Securely mount the appropriate hardware to the ceiling and then, using a level to ensure accurate alignment, attach pendants to the hardware with the assembled suspension cable/chain/rod/etc.

Due to the single cable hanging point, we do not recommend hanging Tessellate Pendants in a heavy airflow area as they are susceptible to slight movement once installed.



kirei

CONTACT INFORMATION

Phone: 619.236.9924

Email: info@kireiusa.com

Web: kireiusa.com

Our Mission

Kirei strives to inspire a beautiful world by providing architects, interior designers, and placemakers with sustainable architectural design elements for inspiring healthy spaces.

Committed To Sustainability

Kirei prioritizes sustainable design in our materials and our process. Our products must contain a minimum of 50% or more recycled material, meet or exceed CDPH standards for VOCs, and must be Red List Free and Declare Label qualified/certified. From tiles made of plastic bottles to Pendants filled with Nike Grind, being "green" is a key quality of all our products.

Our Proven Process

Our proven process is simple and guides all that we do. We listen and learn the needs of a designer's project to inspire and assist through the specification process. We get the spec right, working with installers and contractors to get accurate bid information. We provide best-in-class service that includes reliable delivery and installer support, ensuring that each project gets exactly what it needs when it needs it. Finally, we celebrate the designer, their project, and the win!