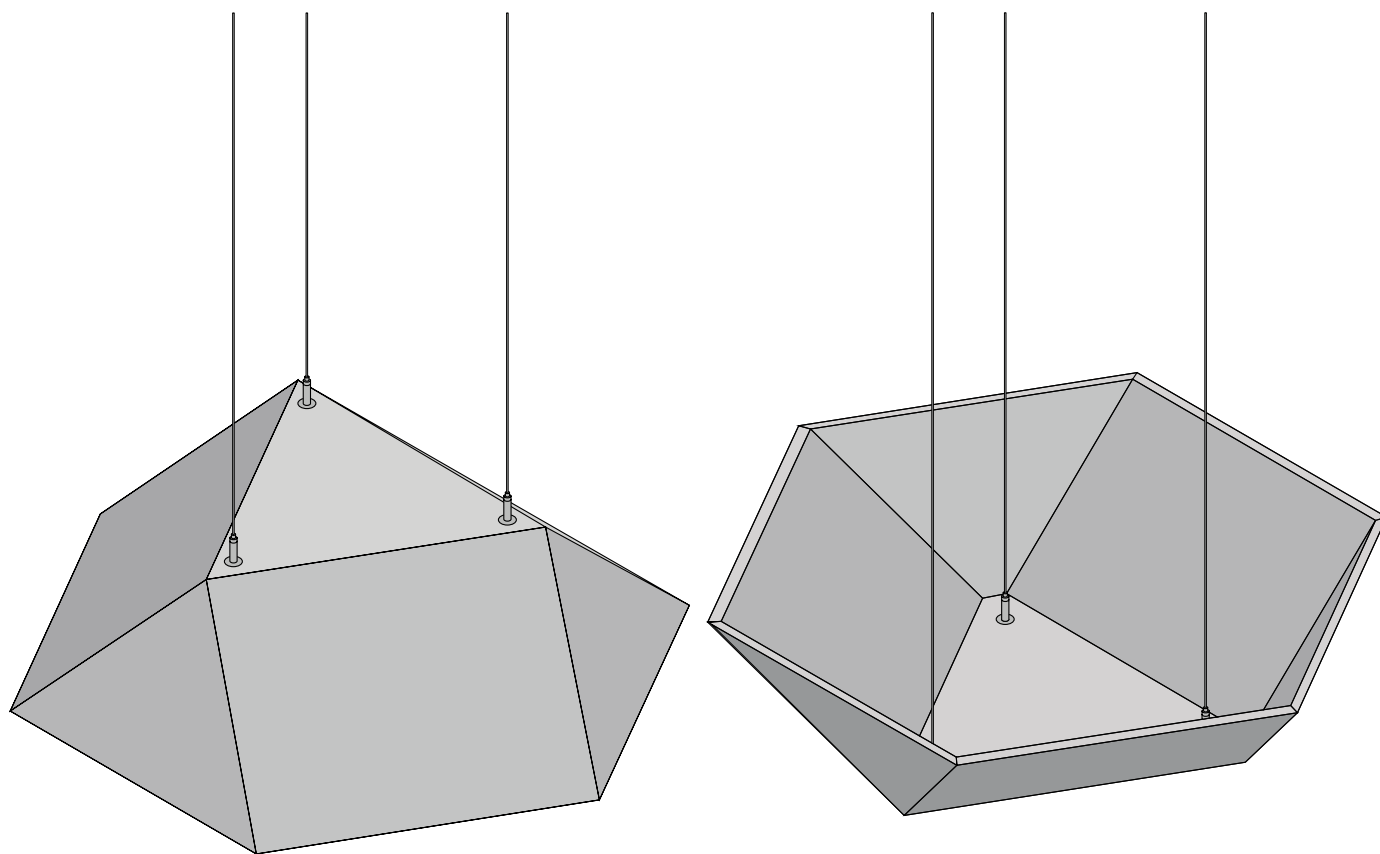


POLYGON CLOUD

INSTALLATION GUIDE



kirei

IMPORTANT INFORMATION

Installation

Please read the entire Installation Guide prior to application. This installation guide is intended to provide installers with helpful information regarding Polygon Clouds prior to installation. Kirei accepts no responsibility for installation actions taken or not taken. This installation guide is not intended to be an in-depth guide; installer's knowledge as an experienced tradesman needs to be applied.

If you have questions about application or techniques, contact Kirei. Kirei will not be responsible for any cutting or mounting not performed by Kirei staff.

Terms of Trade

All Polygon Cloud products are inspected prior to shipment. Kirei is not responsible for damage in shipment or in storage; customers should carefully inspect all items at time of delivery and note any obvious damage on the delivery receipt. For the customer's protection subsequently discovered concealed damage must be reported immediately to the carrier. Claims to Kirei will not be considered if the sheet has been worked on by the customer or others. No claims for labor charges will be allowed in any circumstances.

Work Safety

In the interest of work safety, it is recommended that people working with Polygon Clouds wear the appropriate safety equipment. Although the product emits zero off-gases, masks and gloves should be worn to ensure the maximum possible safety precautions. For an SDS form, please contact Kirei.

Product Notes

Polygon Cloud's acoustic performance will alter based on a variety of factors including spacing between clouds. Polygon Clouds have a grain that can reflect light differently, looking slightly lighter or darker depending on placement.

Cleaning & Handling

Do not store Polygon Clouds vertically, please store laying flat.
See the [Handling and Cleaning Guide](#) for more information.

Polygon Cloud Specs

See the [Polygon Cloud Spec Sheet](#) for product details and information.

Product & Installation Questions

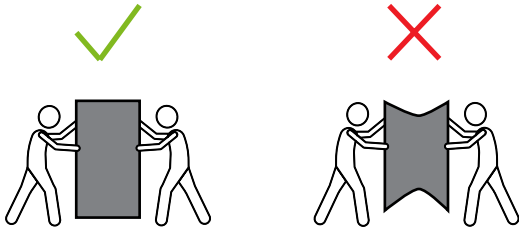
PH: 619.236.9924

Email: info@kireiusa.com

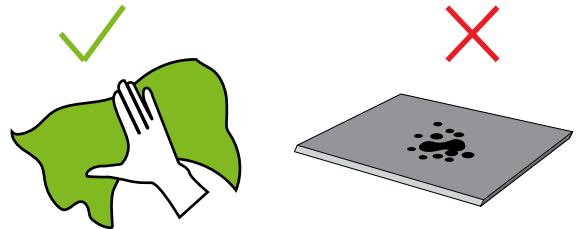
Web: kireiusa.com

HANDLING

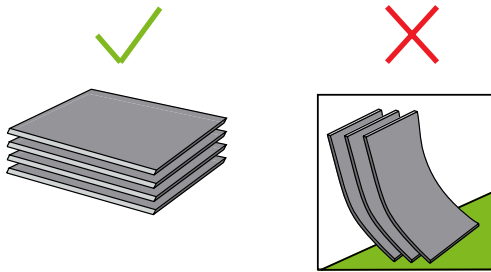
Carry boxes and products upright.



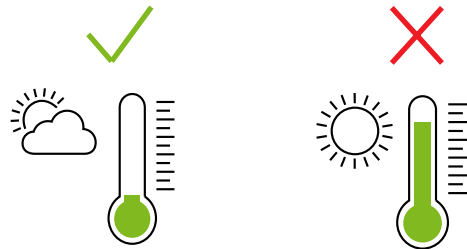
Keep all surfaces clean for storage and fabrication.



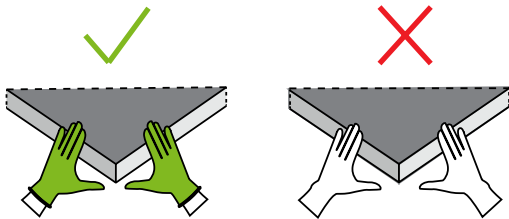
Store boxes and products flat.



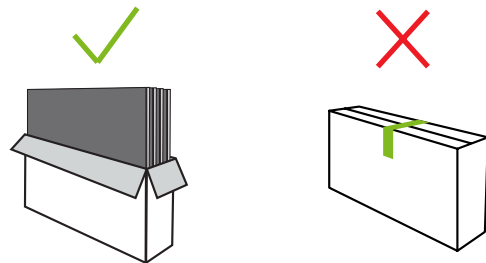
Store in a cool, dry place with no direct sun. Avoid 145 degree temperatures or greater.



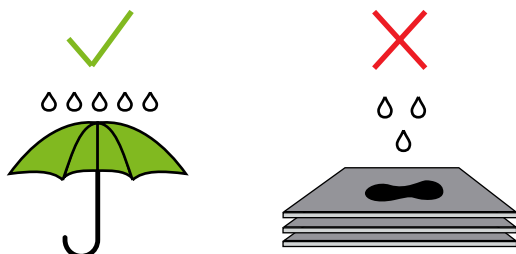
Wear gloves for handling light colors.



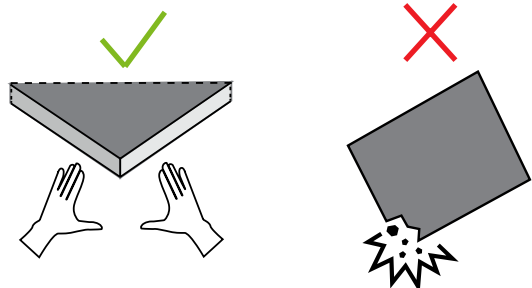
Upon delivery, inspect all goods for order corrections and damage.



Keep product dry and avoid humidity.

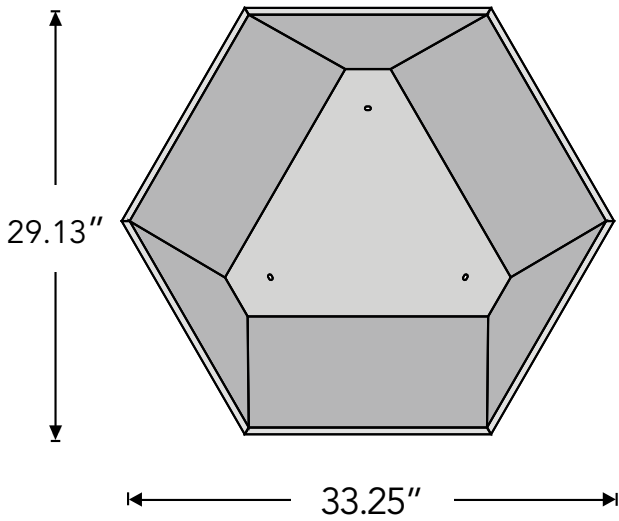


Protect the edges.

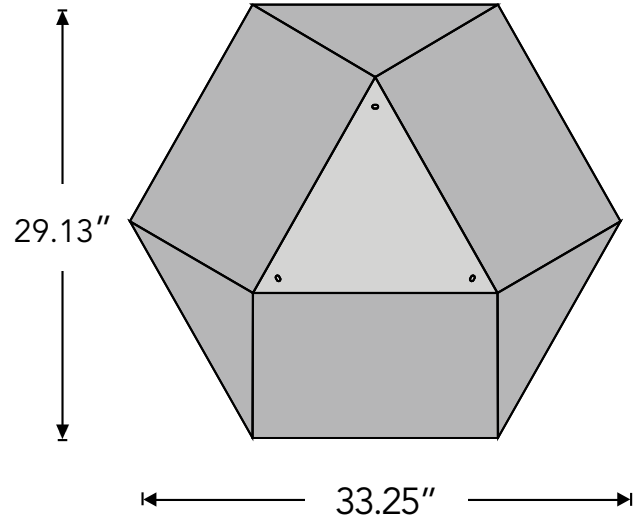


DIMENSIONS

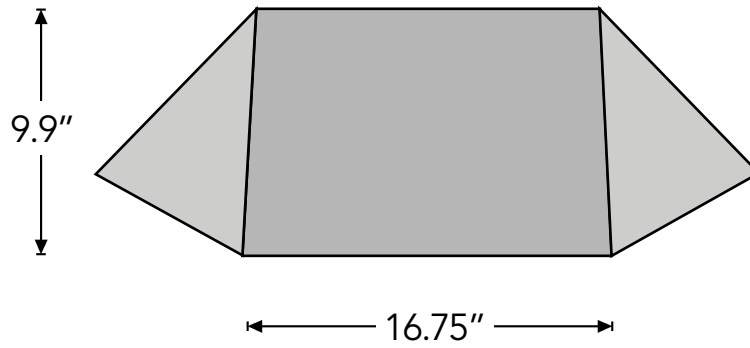
Polygon Cloud Concave



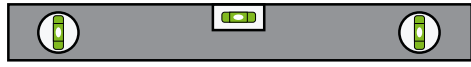
Polygon Cloud Convex



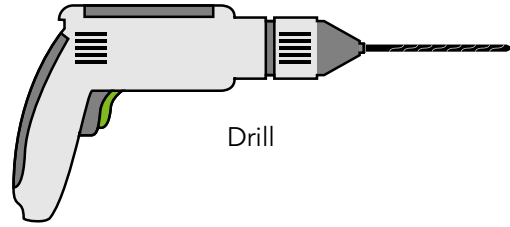
Polygon Cloud Side View



TOOLS NEEDED



Level



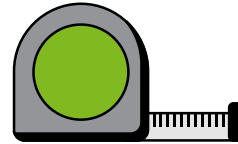
Drill



Crimper



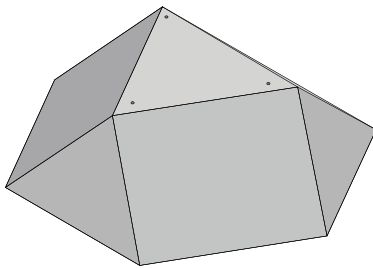
Wire Cutter



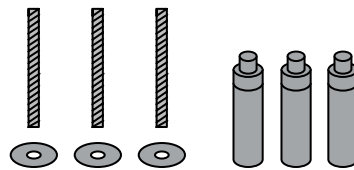
Tape Measure

Not all tools are needed for installation, but depending on install choice, could be used.

ITEMS INCLUDED

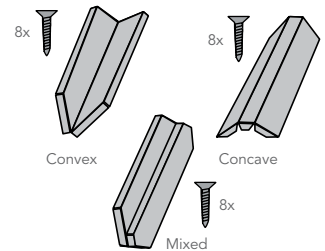


Polygon Cloud



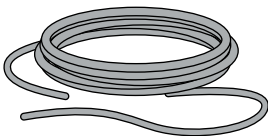
(3) 1/4"-20 male threaded screws, (3) washers, and (3) Griplock cable grippers

Hardware
(per cloud)



PET Joiners
(per 2 cloud cluster,
upon request)

OPTIONAL (NON-INCLUDED) ITEMS



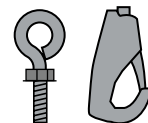
Aircraft Cable



Threaded Rod



Set screw Attachment



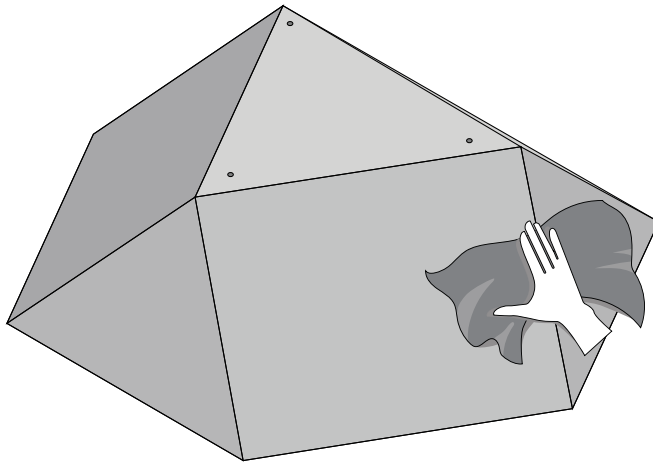
Eyebolt Attachment

These are optional items that could potentially be used depending on installation.

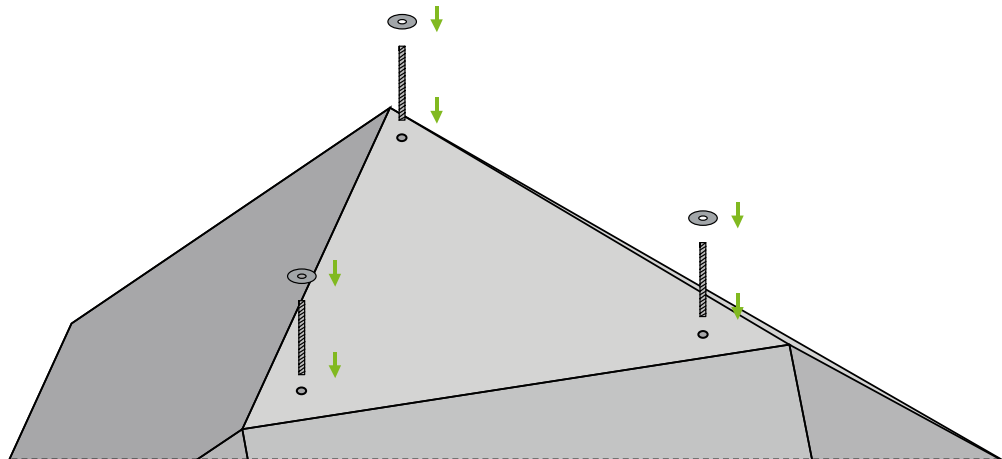
INSTALLATION

The safest and easiest install is achieved by evaluating the location in advance to determine and ensure that cable path from ceiling is unobstructed. Typically two people are needed for most install applications. The clouds are shipped ready to install, no assembly required.

- 1** Remove cloud from the box confirm color, undamaged condition, compatibility of hanging hardware, and clean any debris off the cloud.

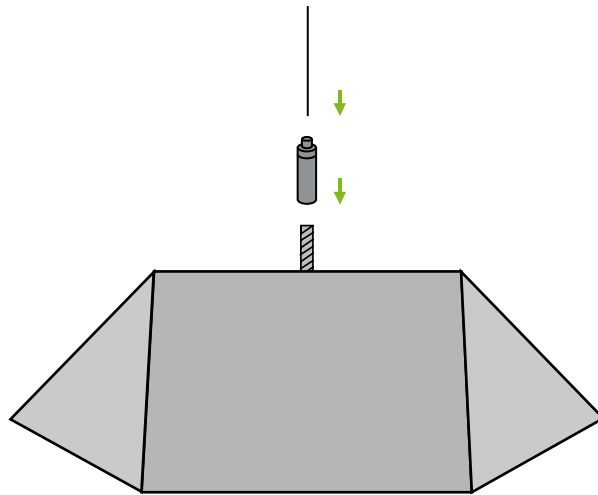


- 2** Each pendant has three attachment points with three pre-drilled holes for 1/4"-20 male threaded screws. Attach set screws into pre-drilled holes then add washer over set screws.

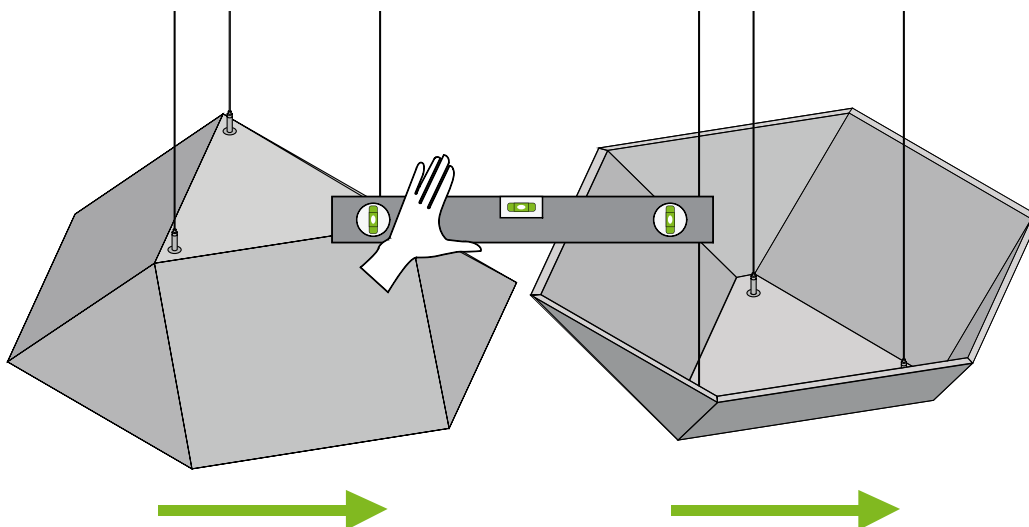


INSTALLATION

- 3** To install Polygon Clouds, attach ceiling mounting hardware and suspension cable/chain/rod/etc. with the appropriate connector - the supplied Griplock cable gripper or a different connector of your choice - at the bottom end. *Note: Ceiling mounting hardware and suspension items are not included.*

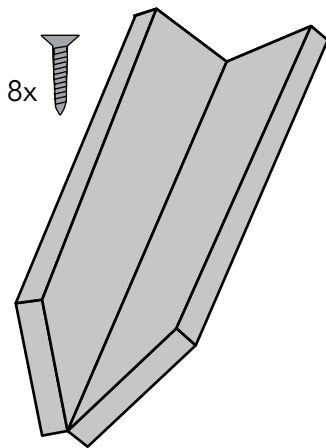


- 4** Once the ceiling hardware is installed, attach the connector to the supplied attachment hardware on the Polygon Cloud and level the cloud/s.

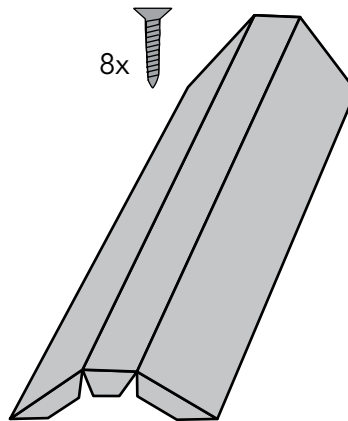


PET JOINERS - CLUSTER INSTALLATION

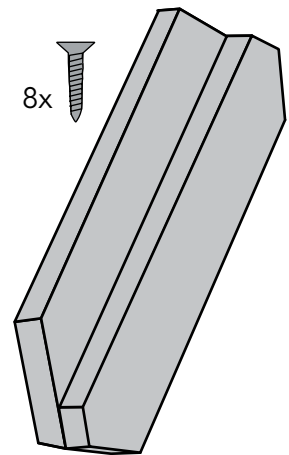
To install clusters, PET joiners - with provided screws - are offered for both Concave and Convex styles for seamless installation (sold separately). There are 3 types of joiners provided, those used for joined cloud Convex to Convex installations, Concave to Concave, and mixed installations. Joined installation type must be determined at ordering to ensure correct joiners are included in shipment. PET joiner colors or prints will be matched to the PET color or print selected in the order. If more than one PET color or print is used for joined Polygon Clouds, the joiner PET color or print will be selected at time of order.



Convex to Convex
PET Joiner



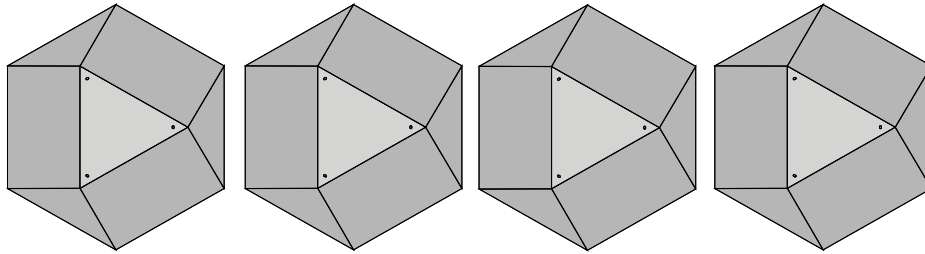
Concave to Concave
PET Joiner



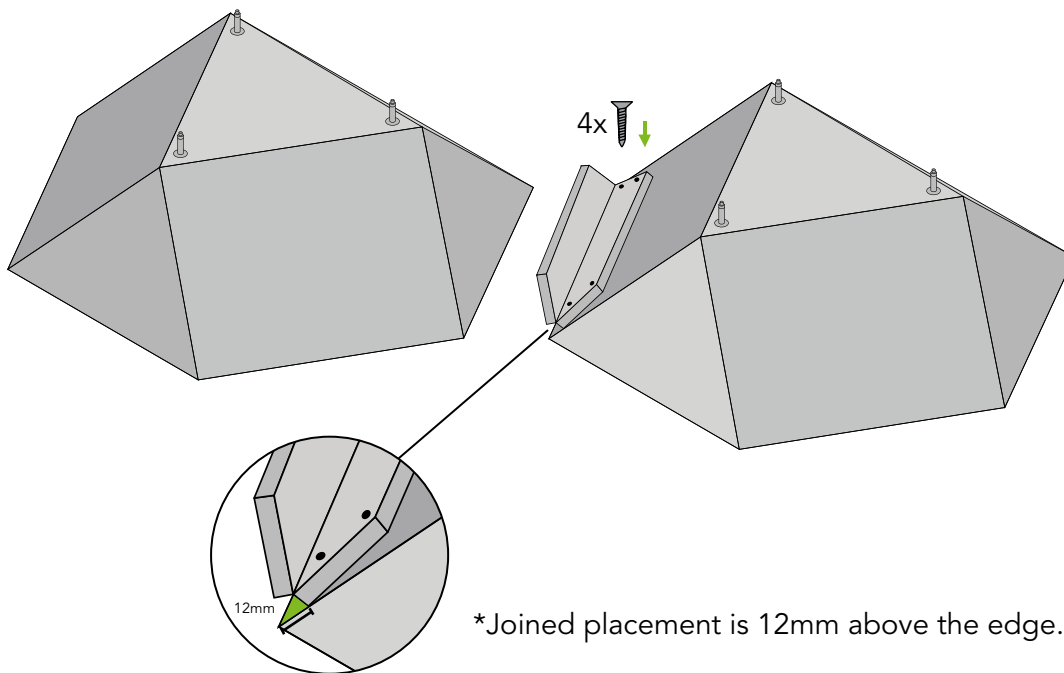
Concave to Convex
PET Joiner

PET JOINERS - CONCAVE CLUSTER INSTALLATION

- 1** To begin cluster installation for Concave to Concave clouds, first layout cloud design on the floor to ensure joining points are aligned correctly.

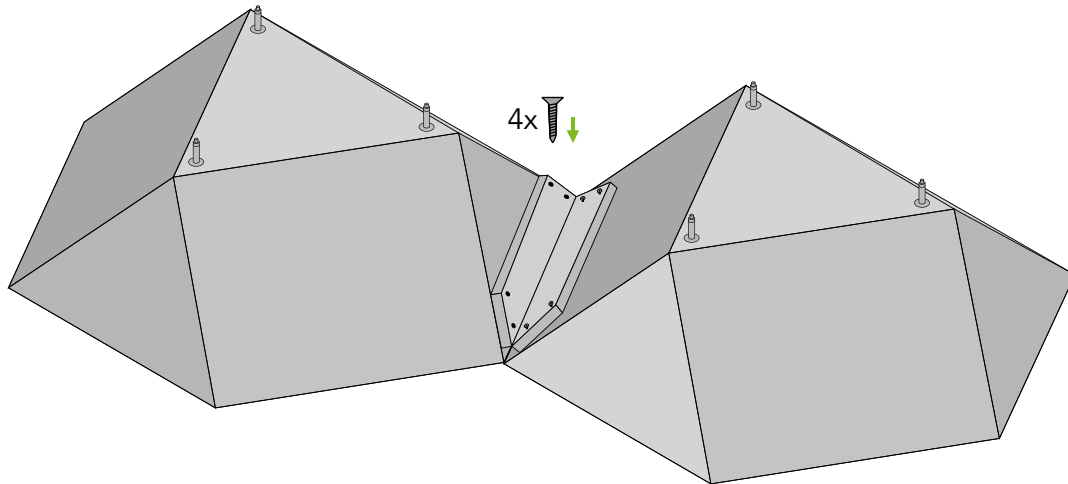


- 2** Once clouds are aligned in the desired layout, place joiners in overlapping connection locations between clouds, as seen below. In the places marked on the joiner drawing below, attach the first four screws halfway in on one side of the joiner, as seen below.

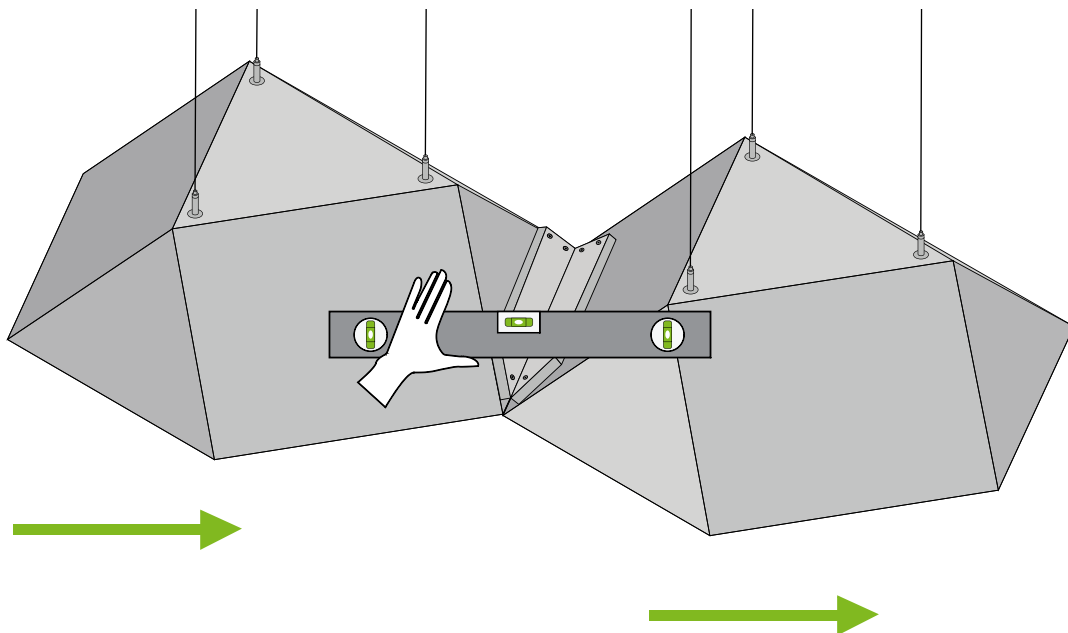


PET JOINERS - CONCAVE CLUSTER INSTALLATION

- 3** Next, attach four more screws halfway on the other side of the joiner, on the places marked in the drawing below.

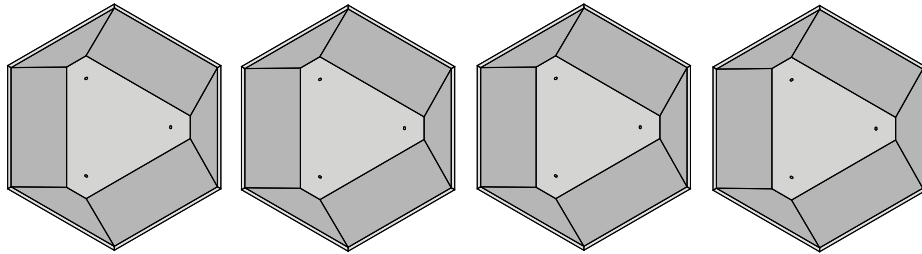


- 4** Once the ceiling hardware is installed, attach the connector to the supplied attachment hardware on the Polygon Cloud and level the cloud/s. After leveling, ensure all screws connecting the clouds and joiners are tightly secured.

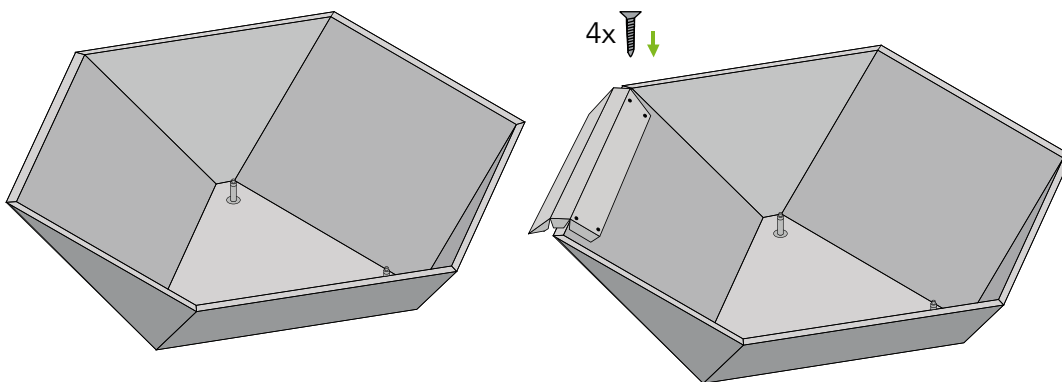


PET JOINERS - CONVEX CLUSTER INSTALLATION

- 1 To begin cluster installation for Convex to Convex clouds, first layout cloud design on the floor to ensure joining points are aligned correctly.

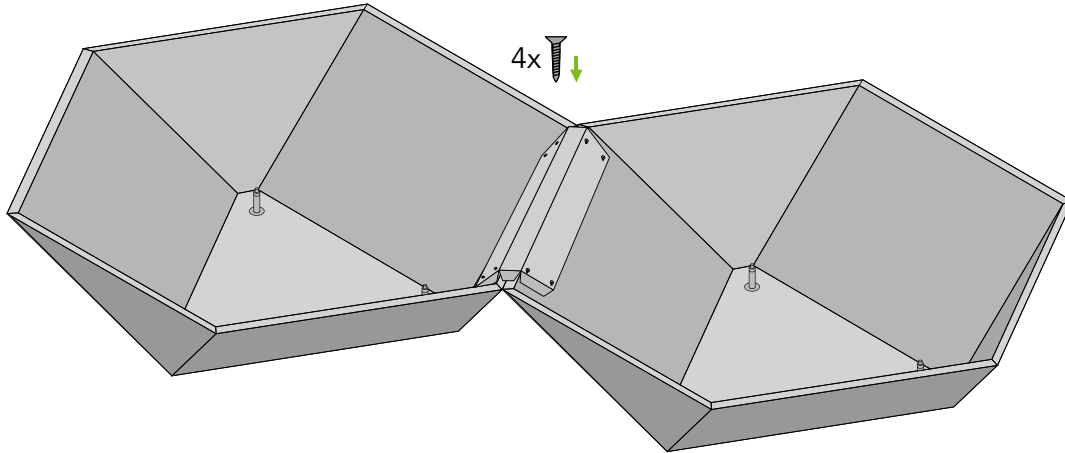


- 2 Once clouds are aligned in the desired layout, place joiners in overlapping connection locations between clouds, as seen below. In the places marked on the joiner drawing below, attach the first four screws halfway in on one side of the joiner, as seen below.

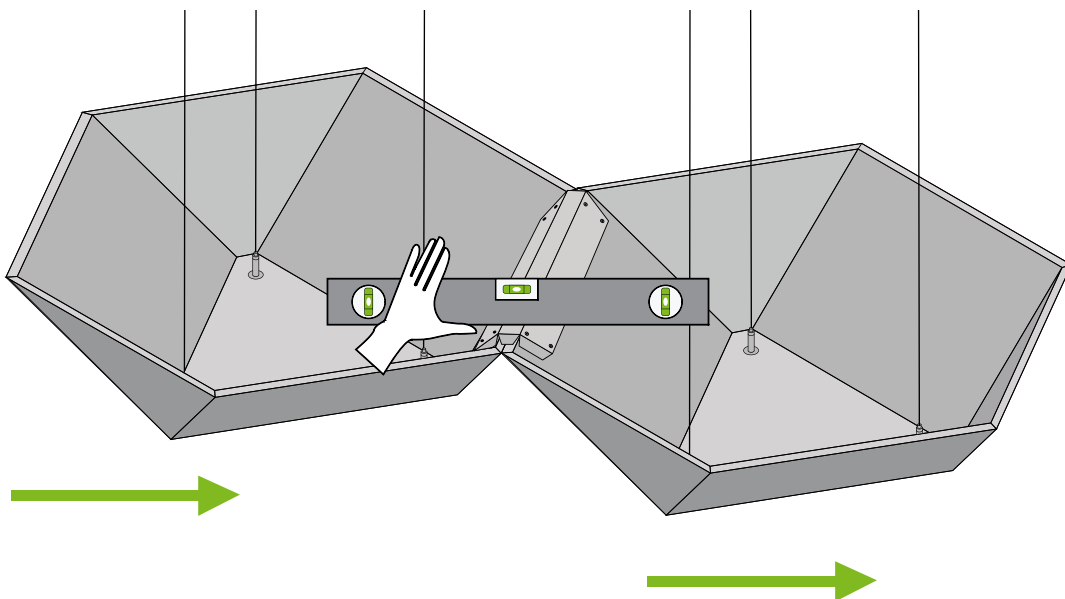


PET JOINERS - CONVEX CLUSTER INSTALLATION

- 3** Next, attach four more screws halfway on the other side of the joiner, on the places marked in the drawing below.

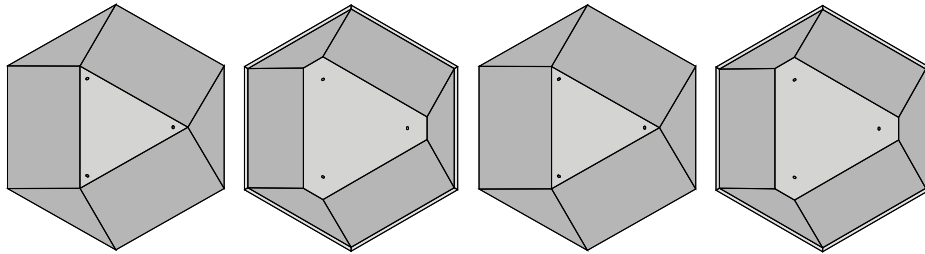


- 4** Once the ceiling hardware is installed, attach the connector to the supplied attachment hardware on the Polygon Cloud and level the cloud/s. After leveling, ensure all screws connecting the clouds and joiners are tightly secured.

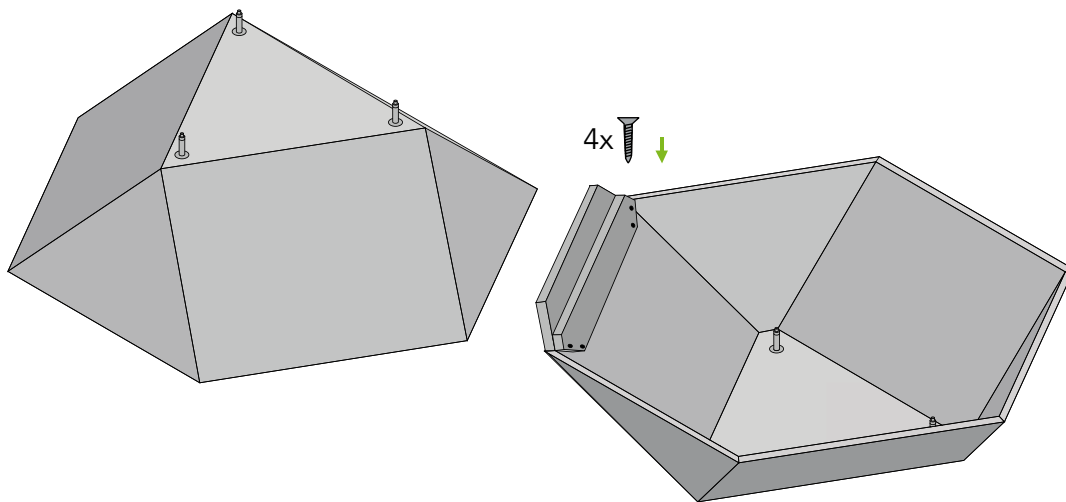


PET JOINERS - MIXED CLUSTER INSTALLATION

- 1 To begin cluster installation for a mix of Concave and Convex clouds, first layout cloud design on the floor to ensure joining points are aligned correctly.

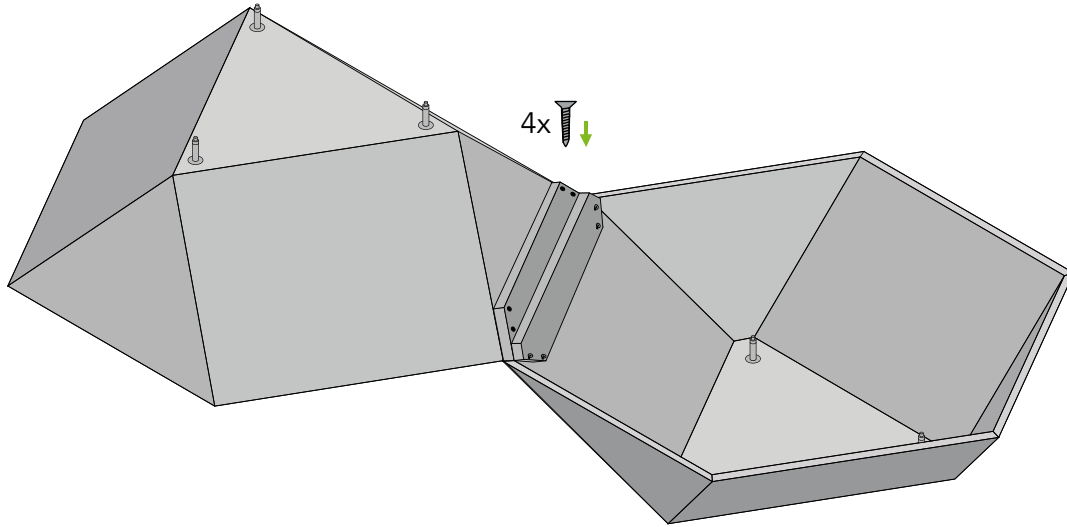


- 2 Once clouds are aligned in the desired layout, place joiners in overlapping connection locations between clouds, as seen below. In the places marked on the joiner drawing below, attach the first four screws halfway in on one side of the joiner, as seen below.

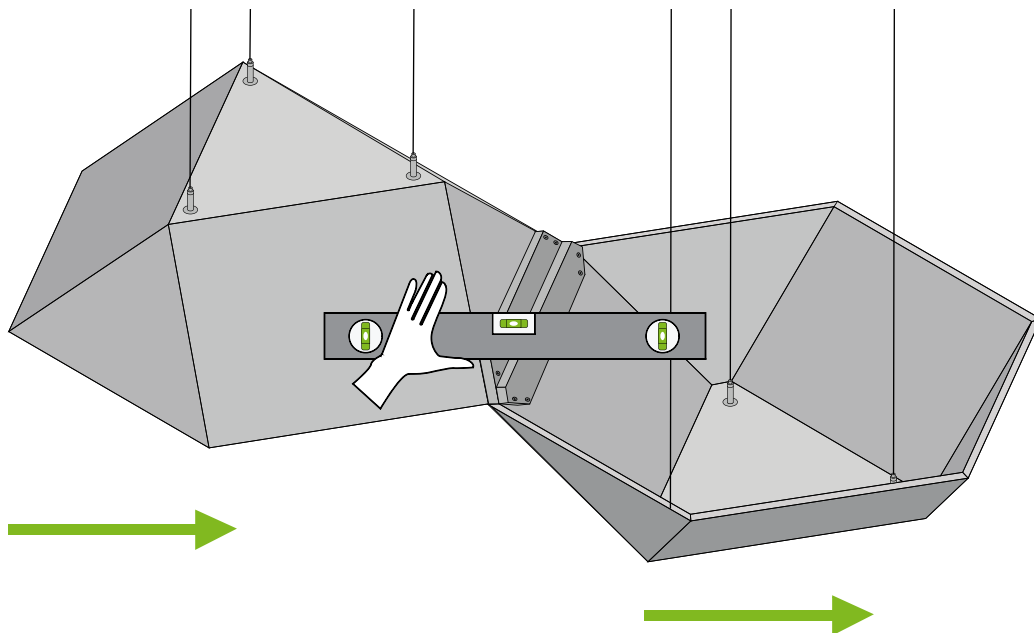


PET JOINERS - MIXED CLUSTER INSTALLATION

- 3** Next, attach four more screws halfway on the other side of the joiner, on the places marked in the drawing below.



- 4** Once the ceiling hardware is installed, attach the connector to the supplied attachment hardware on the Polygon Cloud and level the cloud/s. After leveling, ensure all screws connecting the clouds and joiners are tightly secured.



kirei

CONTACT INFORMATION

Phone: 619.236.9924

Email: info@kireiusa.com

Web: kireiusa.com

Our Mission

Kirei strives to inspire a beautiful world by providing architects, interior designers, and placemakers with sustainable architectural design elements for inspiring healthy spaces.

Committed To Sustainability

Kirei prioritizes sustainable design in our materials and our process. Our products must contain a minimum of 50% or more recycled material, meet or exceed CDPH standards for VOCs, and must be Red List Free and Declare Label qualified/certified. From tiles made of plastic bottles to clouds filled with Nike Grind, being "green" is a key quality of all our products.

Our Proven Process

Our proven process is simple and guides all that we do. We listen and learn the needs of a designer's project to inspire and assist through the specification process. We get the spec right, working with installers and contractors to get accurate bid information. We provide best-in-class service that includes reliable delivery and installer support, ensuring that each project gets exactly what it needs when it needs it. Finally, we celebrate the designer, their project, and the win!