



EchoScreen® Installation Guide

Note: Please read the entire Installation Guide before application.

The installation guide is intended to provide installers with helpful information regarding EchoScreen prior to installing the material. Kirei accepts no responsibility for installation actions taken or not taken. This installation guide is not intended to be an in-depth guide; installer's knowledge as an experienced tradesman needs to be applied.

This installation guide serves only as a recommendation for installing and handling EchoScreen. If you have questions about application or techniques, contact Kirei at www.kireiusa.com or 619.236.9924.

Standard Hanging Assembly

EchoScreen can be hung singly or arrayed in groups, either abutted edge to edge or hung with a reveal between panels. See installation instructions below for standard hanging installation. Depending on reveal desired, additional channel track and/or hardware may be required.

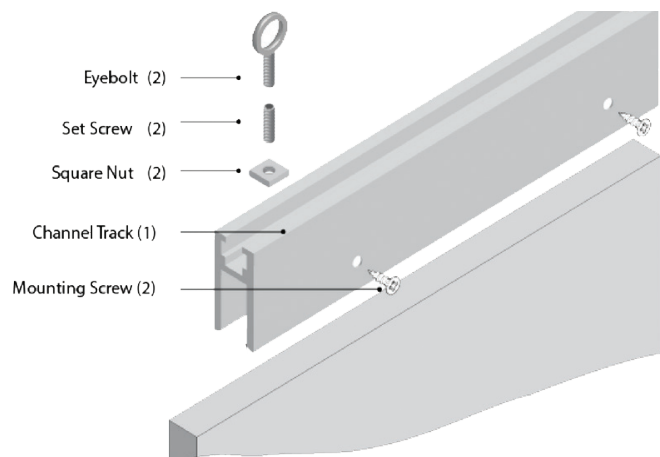
Standard Hanging Hardware & Installation

Single EchoScreen Hardware

Each standard single EchoScreen comes with:

- (1) 42" Aluminum Channel Track
- (2) Fastener Sets
- (2) 1/4"-20 Square Nuts
- (2) 1/4"-20 Eyebolts
- (2) 1/4"-20 Eyebolts
For hanging with looped cable or chain
- (2) 1/4"-20 x 3/4" Set Screws
Compatible with most aircraft cable suspension hardware.
- (2) #8 x 1/2" Mounting Screws

Note: Installers are responsible for supplying the 3/64" - 1/16" aircraft cable and the code compliant ceiling mounting hardware. Kirei does not provide ceiling mounting hardware or cable/chain/rod.



Single EchoScreen Recommended Tools

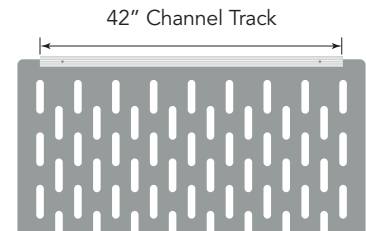
- Drill/Screw Gun
- Hex Driver (4mm) for hanging screen install
- Hex Driver (4.5mm) for EchoScreen Rolling Track install



EchoScreen[®] Installation Guide

Single EchoScreen Hanging Installation

1. Ensure assembly surface is clean and flat.
2. Insert square nuts into track, select either the set screw or the eyebolt depending on specified cable attachment. Set Screw requires 4mm hex tool and turned until fully tightened. Eyebolts may be Mount the Channel Track on center to the top of the screen using #8 x 1/2" Mounting Screws.
3. Install track to specified ceiling hardware.
4. Check level after installation.



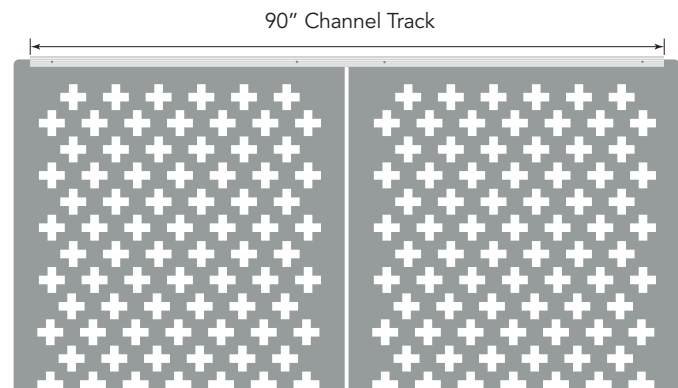
2-EchoScreen Hanging Hardware

A pair of EchoScreens includes:

- (1) 90" Channel Track
- (3) Fastener Sets

2-EchoScreen Hanging Installation

1. Pre-assemble screen with 2-3 people on a clean, flat surface.
2. Mount the channel track to the screens.
3. Position the fasteners for the specified suspension hardware (which is not included by Kirei.)
4. Two individuals should lift and evenly support the screen set while a third individual connects the hanging hardware to the ceiling suspension hardware.
5. Check level after installation.





EchoScreen® Installation Guide

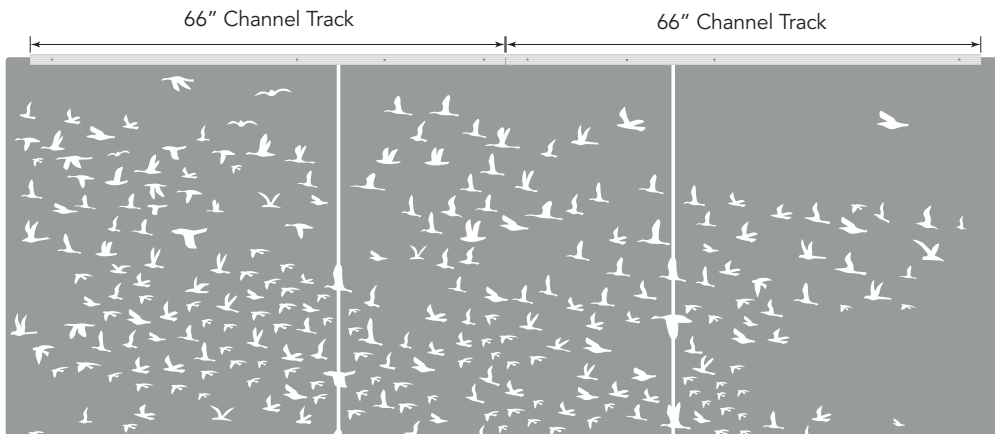
Triptych EchoScreen Hardware

Triptych Series of three EchoScreen panels to be installed side-by-side includes:

- (2) 66" Channel Tracks
- (4) Fastener Sets

Triptych EchoScreen Installation

1. Assemble the channel tracks and fastener set. Do not attach the screen yet.
2. Suspend/install the Channel Tracks at the specified position/height. This may require 2-3 people.
3. Hang the assembled channel tracks to the specified ceiling suspension system (which Kirei does not provide).
4. Install the center screen first, which will connect the 2 channel tracks.
5. Mount the two remaining screens to the channel tracks.
6. Check level after installation.



4+ EchoScreen Installation

When installing 4 or more abutted (sequential) EchoScreens, even numbers of panels will include 66" Channel Tracks for each end and 42" Channel Tracks for the center panels. Odd numbers of screens will include a 66" Channel track for each end and 90" Channel Tracks for the center panels.

4+ EchoScreen Installation

Depending on quantity of screens, follow either the 2-EchoScreen installation steps or Triptych EchoScreen installation steps. Contact Kirei for more information.



EchoScreen® Installation Guide

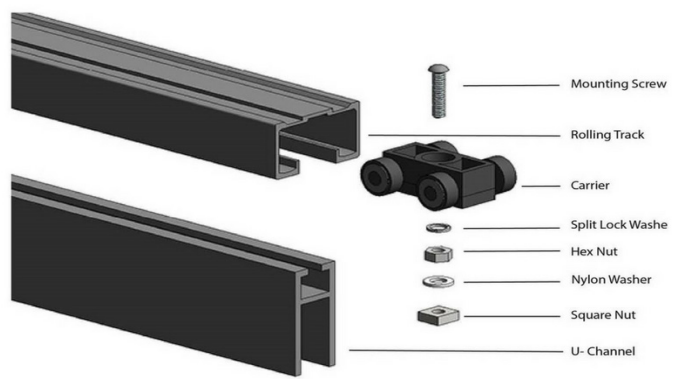
Other Hardware & Installation

Kirei has multiple alternative ways to install EchoScreen based on special needs; however, these alternative installation variations may require extra hardware at an additional cost. Contact Kirei for more information.

Rolling Track Hardware

Each Rolling Kit comes with:

- (1) 8' rolling track
- (2) carriers
- (2) rubber stoppers
- (2) fastener kits each consisting of:
 - 1/4" - 20 button socket machine screw
 - 1/4" split lock washer
 - 1/4" - 20 hex nut
 - 1/4" nylon washer
 - 1/4" - 20 square nut



Rolling Track Installation

Rolling Track can be installed in continuous runs or side-by-side for bypass or overlapping screen. The Rolling Track is clear anodize architectural grade aluminum and can be cut to length on site by the installer.

1. Review the specification and ensure the received hardware matches.
2. Install the Rolling Track(s) as specified. (Due to variation in ceiling structure and local code, Kirei does not provide mounting fasteners.)
3. Pre-assemble the Rolling Track Carrier Hardware as per the sequence shown. Using a 4.5mm Hex Tool and 7/16" wrench, firmly tighten the Bolt, Lock Washer and Hex Nut.
4. Slide the Square Nut into the Channel Track as shown, keeping the nylon washer on the top and the square nut inside the track. Using the Hex Tool, position each Carrier.
5. Determine the specified range of travel for each EchoScreen and mount the Stoppers within the Rolling Track using the provided fasteners.



EchoScreen® Installation Guide

Direct Mount Installation

Construction Adhesive Mounting

To directly mount screens to the wall, we recommend using a standard construction adhesive such as Loctite PowerGrab, Loctite PL 3X Premium Construction Adhesive, or Liquid Nails LN903 Heavy Duty Construction adhesive. See our EchoPanel Panel Installation Guide for some more construction adhesive options.

Construction Adhesive Installation

1. Clean and prepare the surface per adhesive guidelines.
2. Spread adhesive evenly on the panel back, minding the screen pop-out design.
3. Adhere to wall surface, providing bracing to hold the material against the surface per adhesive open time/instructions.

Mechanical Fastening Mounting

EchoScreen can be directly mounted to walls with nails, screws, or staples (where appropriate). Kirei does not provide these fasteners.

Mechanical Fastening Installation

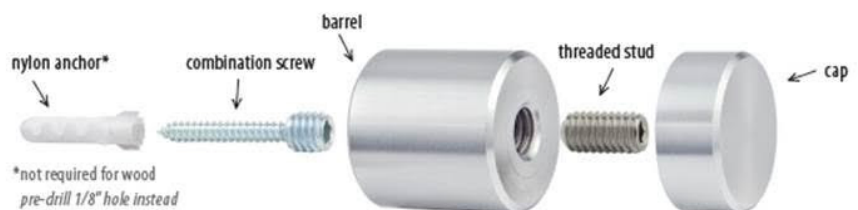
1. Clean surfaces prior to fastening.
2. Drill holes minimum 15mm center offset from each corner. Use best judgement when working around screen cutouts.
3. Insure drilled holes have smooth edges.
4. Use washers for better load distribution and to prevent pull-through.

Note: Nails or screws should be fastened into battens or suitable substrates. Don't overtighten fasteners to avoid denting or pillowing the screen surface. Don't use self-tapping screws.

Mechanical Fastening Mounting

When standoffs are specified, each EchoScreen comes with (6) standoffs made of:

- (1) anchor
- (1) combination screw
- (1) barrel
- (1) threaded stud
- (1) cap

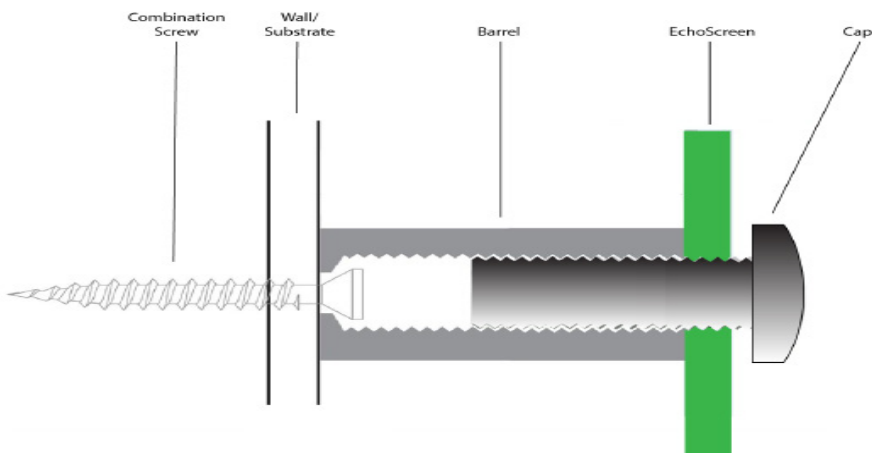




EchoScreen® Installation Guide

Standoff Wall Mount Installation

1. Assemble with 2 individuals and establish level installation line.
2. Hold the screen in position against the wall and mark the stand-off wall mounting points using the pre-drilled mounting holes in the screen.
3. Set screen aside and drill hole for drywall anchor or pilot hole if mounting to structural substrate.
4. Install stand-offs to wall without adding the threaded stud and cap.
5. One individual should support screen up against standoffs while the other individual aligns EchoScreen to holes and threads in stand-off caps starting at the top.





EchoScreen® Installation Guide

Additional Information

EchoScreen Cutout Removal

After the screens are installed, remove the precut cutouts by hand. Support back of screens firmly, and press out cutout shapes by hand using gentle firm pressure with finger or blunt instrument such as the eraser end of a pencil. **DO NOT TO PUT EXCESSIVE PRESSURE ON UNSUPPORTED SCREENS TO AVOID CREASING.** If cutout shape is not fully cut through, an Exacto-type blade may be used to cut any remaining material.

Work Safety

In the interest of work safety, it is recommended that people working with EchoScreen wear the appropriate safety equipment. Although the product emits zero off-gases, masks and gloves should be worn to ensure the maximum possible safety precautions. For an SDS form, please contact Kirei at info@kireiusa.com or 619-236-9924.

Final Note

Kirei will not be responsible for any cutting or mounting not performed by Kirei staff.

For any other questions or concerns, please contact Kirei.