

Wrap Partition | Color 442 (Speckled Gray) with Charcoal Hardware



Wrap Partition | Color 444 (Gray) with Cream Hardware

	Metric	Standard	Thickness	Weight	SF/Piece
A: Wing Tall End	475mm x 1650mm	18.7 in. x 65 in.	24mm	3.3 lbs	8.44
B: Wing Short End	464.8mm x 1400mm	18.3 in. x 55.1 in.	24mm	2.2 lbs	7
C: Flat Tall	780mm x 1650mm	30.7 in. x 65 in.	24mm	9.9 lbs	13.86
C2: Flat Tall End	780mm x 1650mm	30.7 in. x 65 in.	24mm	9.9 lbs	13.86
D: Flat Short	780mm x 1400mm	30.7 in. x 55.1 in.	24mm	5.5 lbs	11.75
D2: Flat Short End	780mm x 1400mm	30.7 in. x 55.1 in.	24mm	5.5 lbs	11.75
E: Step Up	780mm x 1650mm	30.7 in. x 65 in.	24mm	8.8 lbs	13.86

Due to the nature of the material, cutting and fabrication process, minor dimensional variances may occur. All specs refer to singular products and not multiples unless specified. See reverse page for Wrap screen diagram.

Wrap Partition

Office needs change every day, so you need furnishings that can change in a flash. The EchoPanel® Wrap Partitions are a reconfigurable partition system with a “kit of parts” that can be assembled using our standard joiners to quickly create flexible collaborative workspaces, room dividers and single desk private spaces. Wrap panels pack flat for easy storage and break down and set up in minutes. EchoPanel acoustic panels absorb sound, helping reduce distraction and inspire creativity, and are made from recycled plastic soda bottles for a great green story as well.

NRC (SOUND ABSORPTION RATING): ASTM C423-90A

Standard EchoPanel NRC acoustic data is available for acoustic calculations. Please contact Kirei for this test data.

Fire Rating

Currently unavailable to be treated to Class A.

VOC Emissions

CDPH (CA 01350) Compliant; TVOC: <0.5 mg/m³
Ecospecifier GreenTag Compliant;
TVOC: 0.015 mg/m²/hr (ASTM D5116)



Wrap Partition | Color 402 (Taupe) with Cream Hardware

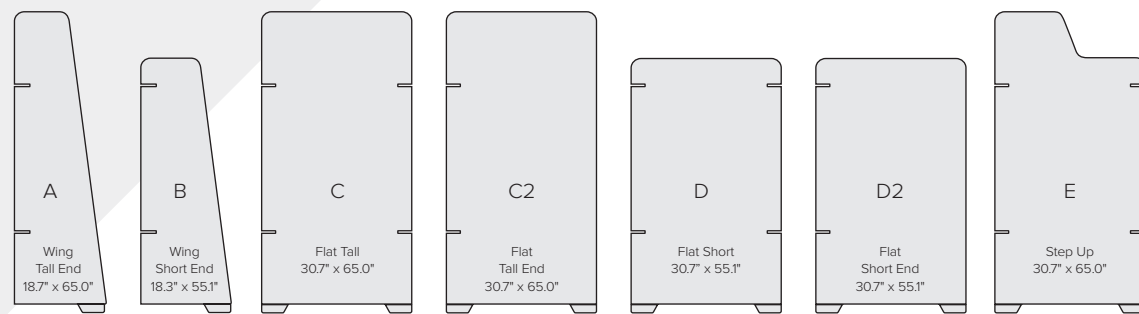
ECHOPANEL PARTITIONS: WRAP

Available Solid Colors



Available Wrap Partition Styles & Configurations

Wrap Screens



Recommended Configurations



Hardware

Available Hardware Colors



Joiners

Panels are assembled using 10 included modular joiners. Pivot joiners fold 360° for pack-flat storage of complete systems.

