

Wave/Dune Tile Installation Guide

Specification

- Non-woven Formed PET Wall Tiles
- 1.97" x 19.68" x 19.68" (50mm x 500 mm x 500 mm)
- 9 Tiles / Box

Contents of Box

- 9 Kirei EchoPanel® Dune/Wave Tiles
- 16 clips (4x Clip A, 8x Clip B, 4x Clip C) Appropriate for a 3 Tile x 3 Tile configuration.
- Installation Guide and clip layout template (RHS and LHS)

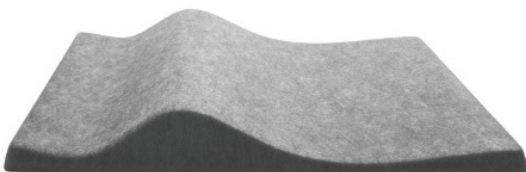
Please read all instructions before application.

Kirei USA accepts no responsibility for installation actions taken or not taken. This guide contains recommendations and is not intended as an all-encompassing guide; your knowledge as an experienced fabricator needs to be applied.

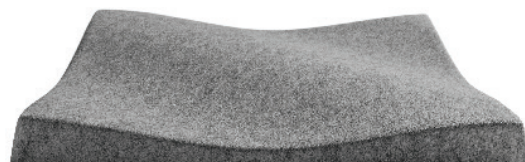
If you have any questions about application or techniques, please visit www.kireiusa.com.

Pre-installation Requirements

- Please check that all Kirei EchoPanel® Dune/Wave Tiles are the correct color and shape.
- No claims will be accepted after the Kirei EchoPanel® Dune/Wave Tiles have been installed.
- Please check that you have a sufficient amount of clips prior to beginning installation. more clips can be purchased if needed.
- The clips should be tested for wall suitability and type of fixing required.
- All surfaces must be smooth, clean, dry, dust and mold free.



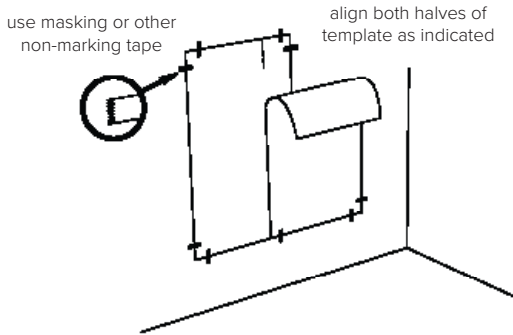
Wave Tile



Dune Tile

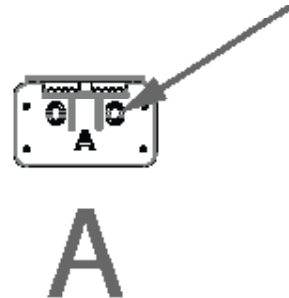
Wave/Dune Tile Installation Guide

1



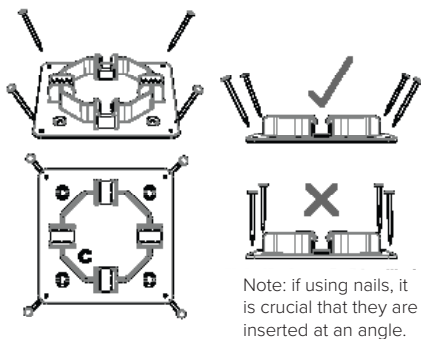
Tape LHS and RHS template clip layout to the wall in the desired location, using a level to ensure proper installation.

2



Mark hole positions for each clip on the wall using a pen or pencil. Remove the template.

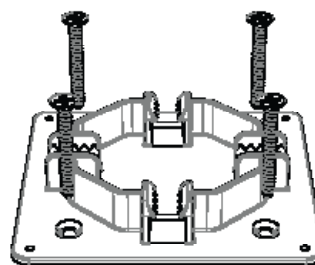
3a



Note: if using nails, it is crucial that they are inserted at an angle.

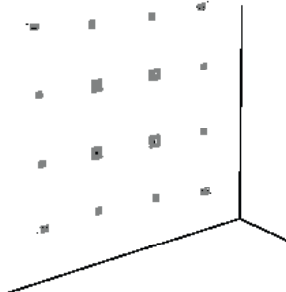
Choose either nails or screws, depending on wall construction. Line the clips up with the marked holes and fix to the wall. You may want to use double sided tape to temporarily hold the clips while installing them.

3b



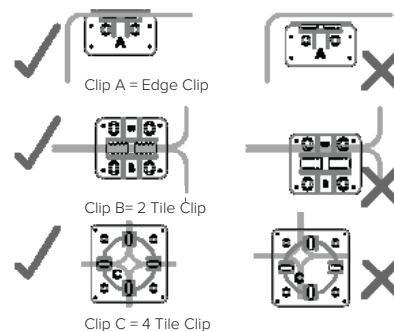
Screws may require additional fixing accessories like wall plugs for masonry.

4



When all the clips are fixed you will have a grid of clips ready to install the tiles.

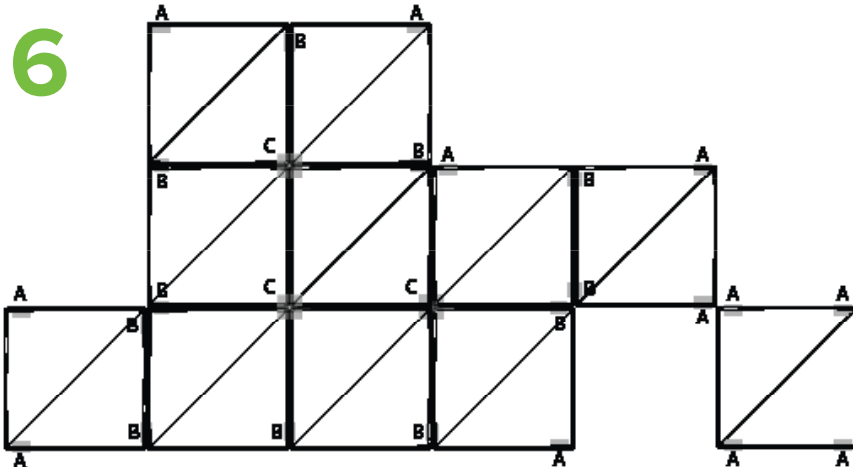
5



Align Tiles:
Please note: Tiles are difficult to remove once installed. Always align the tiles into the clips before pushing them into position

Wave/Dune Tile Installation Guide

6



The clips supplies are appropriate for the installation of 9 tiles arranged in a 3 x 3 square pattern.

Other layouts will require extra clips.
All tiles need a clip at each corner.

Use Edge Clip (A) for any perimeter corner. Use 2 Tile Clip (B) where tiles meet.
Use 4 Tile Clip (C) where 4 tiles intersect.

Additional clips are available. Contact Kirei for more details

Ceiling Installations:

- Follow all the above installation instructions for wall installation with one additional step:
- Add a small amount of construction adhesive to the inside of all the clips, where the tiles slide in, to hold the tiles in place on the ceiling.

Cleaning and Care:

Regular Care

- Protect from Direct Sunlight
- Vacuum Regularly using low suction and smooth attachment

Cleaning

- Professional Cleaning is recommended.
- Do not shampoo clean.

Spot Cleaning

- Treat spills and stains as soon as possible.
- Avoid concentrated rubbing. Use minimal pressure only.
- Gently scrape soil or mop liquid from the surface of the tile.
- Apply proprietary cleaning agents strictly according to instructions.
- Do not saturate the tile or interior with water or other cleaning liquids.
- May be spot cleaned with dry cleaning solvent.

Wave/Dune Tile Installation Guide

FINAL NOTE

In Kirei will not be responsible for any cutting or mounting not performed by Kirei staff.

WORK SAFETY

In the interest of work safety, it is recommended that people working with Kirei EchoPanel® wear the appropriate safety equipment. Although the product emits zero off-gases, masks and gloves should be worn to ensure the maximum possible safety precautions. For an MSDS form, please contact Kirei.