

	Metric Length x Folded Width	Standard Length x Folded Width	Folded Height	Thickness	Weight	SF/Unit
Mini	1168.4mm x 203.2mm	46 in. x 8 in.	127mm (5 in.)	12mm (.47 in.)	2.66	2.6
Maxi	1168.4mm x 355.6mm	46 in. x 14 in.	254mm (10 in.)	12mm (.47 in.)	5.33	4.5

*All specs refer to singular products and not multiples unless specified.  
EchoFold is sold individually, ships flat and is folded prior to installation.*

**EchoFold**

EchoFold, one of Kirei’s acoustically winning design features, offers visual motion and acoustic control. Cut-and-folded EchoPanel® acoustic panels add depth to walls and ceilings while deflecting and absorbing sound. We have two standard sizes—mini and maxi—for varying looks. Have a unique design idea? Customization is also available. Install EchoFold using standard construction adhesive (non-PVA) or mechanical fasteners, lining up adjoining elements prior to attaching.

**NRC (SOUND ABSORPTION RATING): ASTM C423-90A**

While all EchoPanel products offer varying degrees of sound absorption, not all have been tested for NRC using the ASTM standard test method for sound absorption.

**Fire Rating**

ASTM E84 Class C (Class A treatment available.)

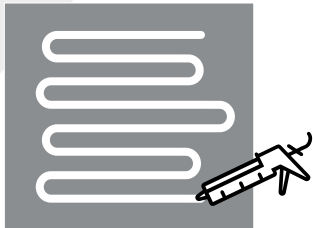
**VOC Emissions**

ASTM D5116 <0.07mg/m m2/hr. (7 Days)

Available solid colors

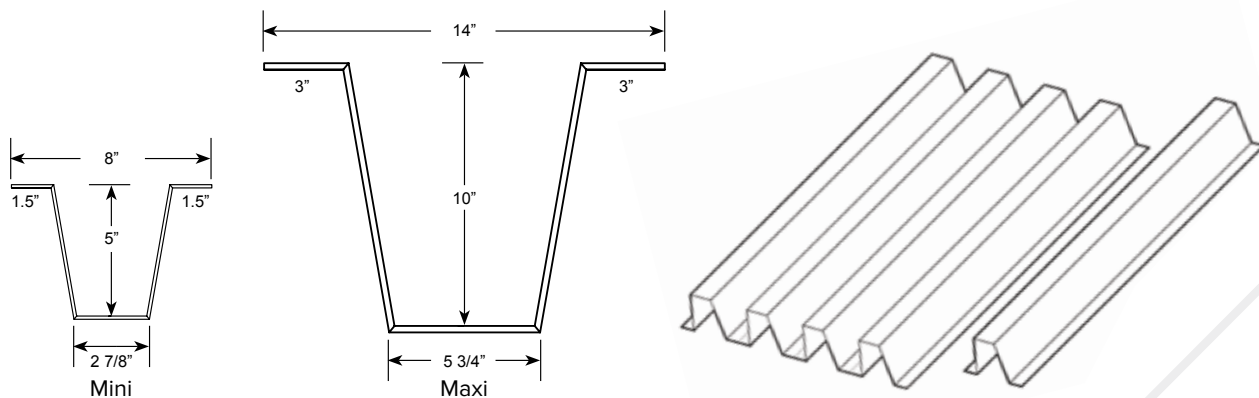


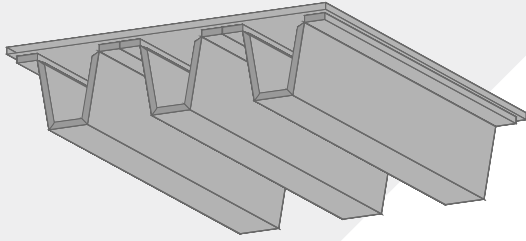
Installation



**Mount**

EchoFold ships flat and should be folded prior to installation. Install this product using standard construction adhesive (non-PVA) or mechanical fasteners. Line up adjoining elements prior to attaching. Visit our website to download the EchoFold Installation Guide.





	Metric Length x Folded Width	Standard Length x Folded Width	Folded Height	Thickness	Weight	SF/Unit
EchoFold 2x2	603.25mm x 603.25mm	23.75 in. x 23.75 in.	127mm (5 in.)	12mm (.47 in.)	6 lbs	4
EchoFold 2x4	603.25mm x 1212.85mm	23.75 in. x 47.75 in.	127mm (5 in.)	12mm (.47 in.)	12 lbs	8

*All specs refer to singular products and not multiples unless specified. Due to the nature of the material, cutting and fabrication process, minor dimensional variances may occur.*

*EchoFold is sold individually, ships flat and is folded prior to installation.*

**EchoFold ACT**

EchoFold ACT adds acoustic control and high-end design to standard drop ceilings. The unique modules install into existing grid to add depth to ceilings while diffusing and absorbing sound. Two standard sizes—2x2 and 2x4—and 20 color options provide design options for any decor from neutral to vibrant. Have a unique design idea? Customization is also available.

**NRC (SOUND ABSORPTION RATING): ASTM C423-90A**

Standard EchoPanel NRC acoustic data is available for acoustic calculations. Please contact Kirei for this test data.

**Fire Rating**

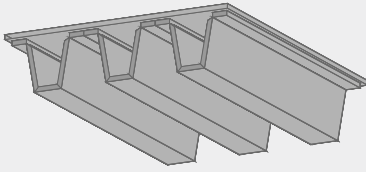
ASTM E84 Class C (Class A treatment available.)

**VOC Emissions**

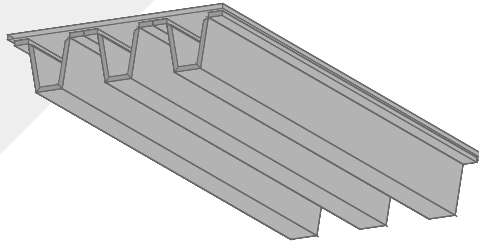
CDPH (CA 01350) Compliant; TVOC: <0.5 mg/m<sup>3</sup>  
 Ecospecifier GreenTag Compliant;  
 TVOC: 0.015 mg/m<sup>2</sup>/hr (ASTM D5116)

# ECHOPANEL SYSTEMS: ECHOFOLD ACT

## Available EchoFold ACT Designs

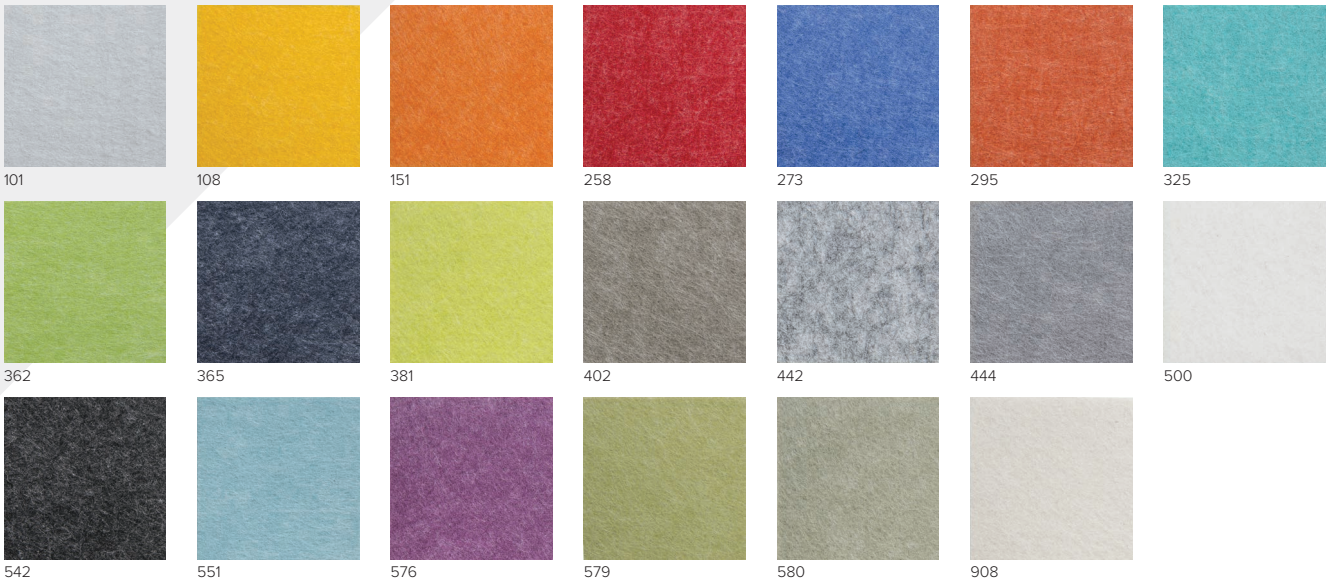


EchoFold ACT 2x2



EchoFold ACT 2x4

## Available Solid Colors



## Installation



Installed EchoFold ACT

### Installation Options

EchoFold ACT tiles easily fit into a standard 15/16" ACT ceiling grid. Simply remove any existing ACT tile and install EchoFold ACT in its place. Download the EchoFold ACT Installation Guide for more information.

If you have a different ceiling grid, contact us for customization to match your needs.