

EchoPanel EchoFold Installation Guide

Note: Please read the entire Installation Guide before application.

The installation guide is intended to provide installers with helpful information regarding EchoPanel EchoFold prior to installing the material. Kirei accepts no responsibility for installation actions taken or not taken. This installation guide is not intended to be an in-depth guide; installers' knowledge as experienced tradesman needs to be applied.

This installation guide serves only as a recommendation for installing and handling EchoPanel EchoFold. If you have questions about application or techniques, contact Kirei at www.kireiusa.com or 619.236.9924.

What is EchoFold?

EchoFold is cut and folded panel of EchoPanel, a decorative acoustically absorbent material with a felt-like finish. It is made from 100% PET thermally stable plastic which, depending on the color, contains up to 60% post-consumer content. EchoPanel is also recyclable in the PET waste stream. Please consult the EchoFold spec sheet for material specifications.

Fire Rating

EchoPanel EchoFold is rated ASTM E84 Class C. EchoFold can be treated to satisfy Class A requirements as needed. Check the Fire Rating requirements for your Project, Building or Municipality in advance. ASTM E84 test results can be obtained by contacting Kirei.

Low VOC Material

EchoPanel® is considered a low-VOC emitting material making it a healthy building option for interior finishes. EchoPanel® is CDPH (CA 01350) Compliant TVOC: <0.5 mg/m³, and Ecospecifier GreenTag Compliant; TVOC: 0.015 MG/M²/HR (ASTM D5516).

Handling and Storage

Keep it clean! EchoPanel is an absorbent material and traps dirt, grime and debris just as well as it does sound. White glove handling is recommended for prep, processing and installation. Kirei is not responsible for mishandling on the job site.

Keep it flat! If cutting, drilling or mounting hardware on site, make sure that EchoFold is evenly supported on a flat, clean surface. Improperly handled material can crease.

Storage areas should be clean, dry, cool, and well ventilated.

EchoPanel EchoFold Installation Guide

Handling and Storage (Cont.)

EchoPanel is a soft material which may be damaged by impression or impact, and may be soiled by contact with dirty surfaces or hands. Maintain clean work surfaces and wear clean gloves while handling EchoFold.

All EchoFold products are inspected prior to shipment. Kirei is not responsible for damage in shipment or in storage; customers should carefully inspect all items at time of delivery and note any obvious damage on the delivery receipt. For the customer's protection subsequently discovered concealed damage must be reported immediately to the carrier. Claims to Kirei will not be considered if the sheet has been worked by the customer or others. No claims for labor charges will be allowed in any circumstances.

To handle and store EchoFold properly, follow these guidelines:

- Carefully inspect all material at time of delivery and note any obvious damage on the delivery receipt.
- Store EchoFold horizontally with support .
- Keep EchoFold as clean as possible during storage. EchoFold should be kept free from grease, wax, dust, and chips that could leave impression.
- Store EchoFold indoors, in a dry, cool, well-ventilated area.
- Avoid exposure to heat 150°F (65°C) or greater.
- Keep table tops clean to avoid scratching.
- Inspect for defects, then recover for protection during fabrication.
- Wear clean white gloves when handling EchoFold.
- Do NOT store EchoFold near radiators, steam pipes, or in direct sunlight.

Cleaning and Care

Remove dust and dirt by dusting, vacuuming, or with a soft cloth or sponge and a solution of carpet or upholstery shampoo. Always use a soft, damp cloth and blot dry. Spot cleaner such as ZEP Commercial Instant Spot Remover has been used with success for some light soil situations. No guarantee is given for cleaning results with this product.

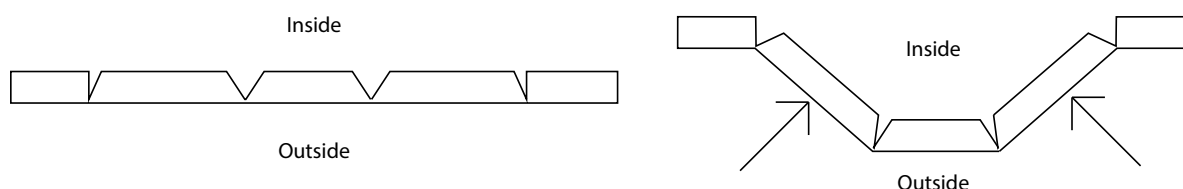
EchoPanel EchoFold Installation Guide

Installation

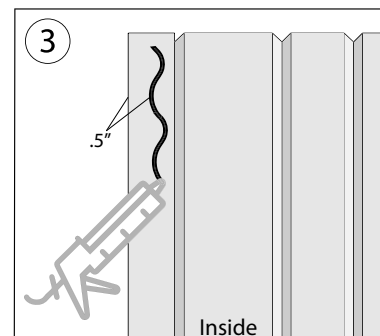
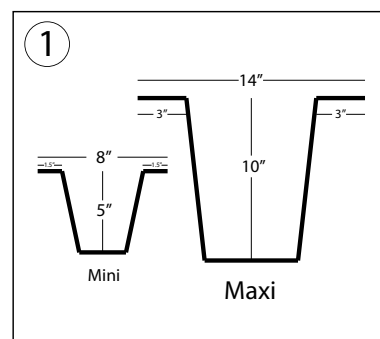
EchoFold is installed by folding material at precut seams and attaching to the wall or ceiling surface with the appropriate adhesive. Please contact Kirei to request a sample to test install.

Recommended adhesives: Liquid Nails, Loctite® PL Premium® Polyurethane Construction Adhesive, Loctite PowerGrab White.

Note: Before install, flex the joints of the EchoFold as the material may be stiff when received from the factory.



1. Measure and mark the wall/ceiling/substrate that the EchoFold will be mounted to.
 - A. Starting from one side, begin with level lines the full length of the install.
 - B. Mark the spacing along the level lines.
 - i. Maxi – 14”
 - ii. Mini – 8”
2. The best practice is to start the install from one side of your substrate and work your way across. Check regularly that components are level and square.
3. Begin by lying the component outside facing down on a clean surface and running a bead of construction adhesive along one of the flanges. Be sure to inset glue bead a half inch from the outside edge to prevent adhesive from squeezing out from beneath the panels.

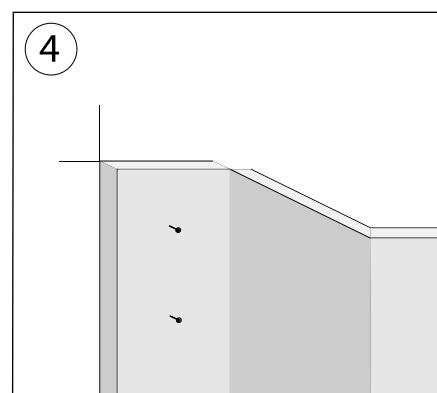


EchoPanel EchoFold Installation Guide

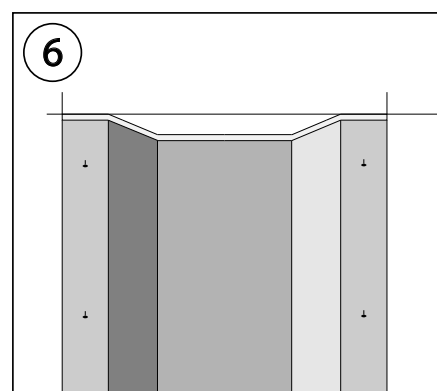
Installation (Cont.)

4. Align the first edge with the pre-measured marks on the substrate. Press and hold firmly in place with a small removeable mechanical fastener until adhesive is set. Small gauge finish nails (18ga-22ga) can be used to hold EchoFold flange in place while the adhesive sets. Since holes will be visible upon removal, but sure to measure and align for best visual. We recommend confirming with the architect for approval. Check adhesive instructions for appropriate open times.

Note: Installation using decorative-head mechanical fasteners provides both a simple and potentially removable solution for the Designer/Architect to specify. In addition, EchoFold can be ordered with precut holes in the flanges.



5. With one half of the component attached to the wall, run a bead of glue on the inside of the other flange. Take care to prevent the adhesive from dripping, spreading or contacting onto other surfaces.
6. Fold the component into its position making sure to carefully align the edge to pre-established marks. Press flange to surface and hold firmly with small removeable mechanical fastener.
7. Continue onto the next component and repeat steps 3-6.
8. Once the adhesive has cured (per manufacturer specifications) the mechanical fasteners may be removed.





EchoPanel EchoFold Installation Guide

Work Safety

In the interest of work safety, it is recommended that people working with Kirei EchoFold wear the appropriate safety equipment. Although the product emits zero off-gases, masks and gloves should be worn to ensure the maximum possible safety precautions. For an SDS form, please contact Kirei at info@kireiusa.com or 619-236-9924.

Final Note

Kirei will not be responsible for any cutting or mounting not performed by Kirei staff.

For any other questions or concerns, please contact Kirei.